

Installation Guide

Please contact AFA first

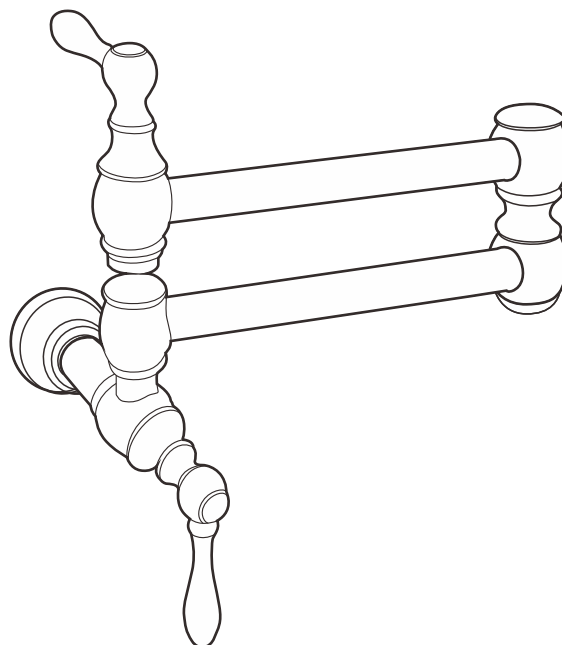
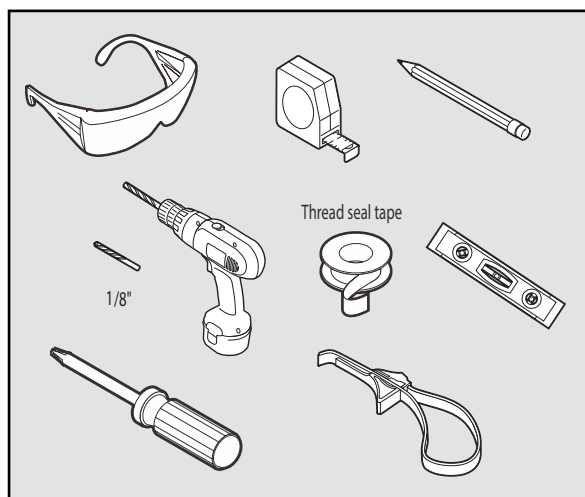
For Installation Help, Missing or Replacement Parts

Phone: (949)477-4195

Fax: (949)477-4196

Email: customer.service@afastainless.com

AFA USA LLC



HELPFUL TOOLS

For safety and ease of faucet replacement, AFA recommends the use of these helpful tools.

CAUTION — TIPS FOR REMOVAL OF OLD FAUCET:

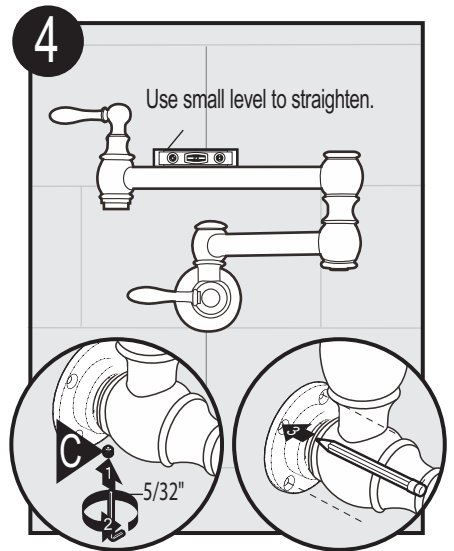
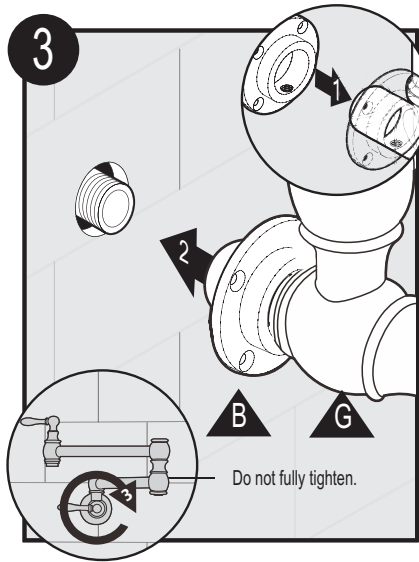
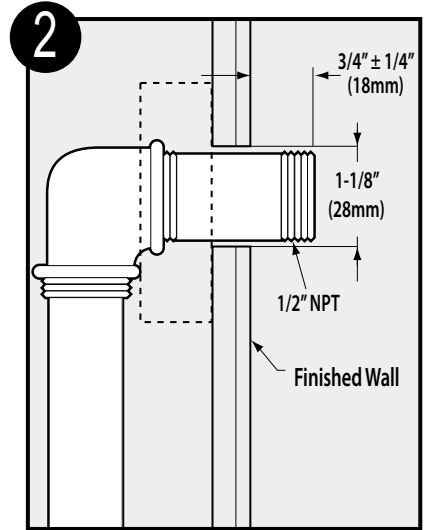
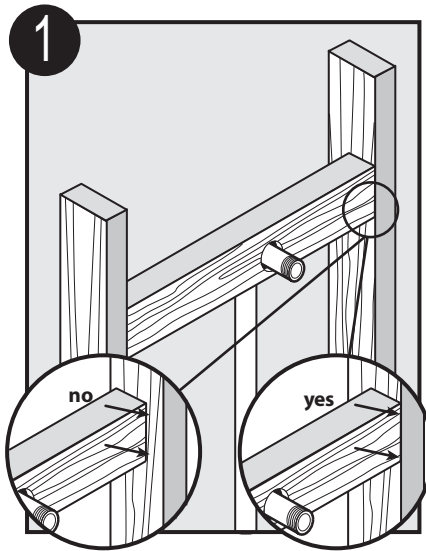
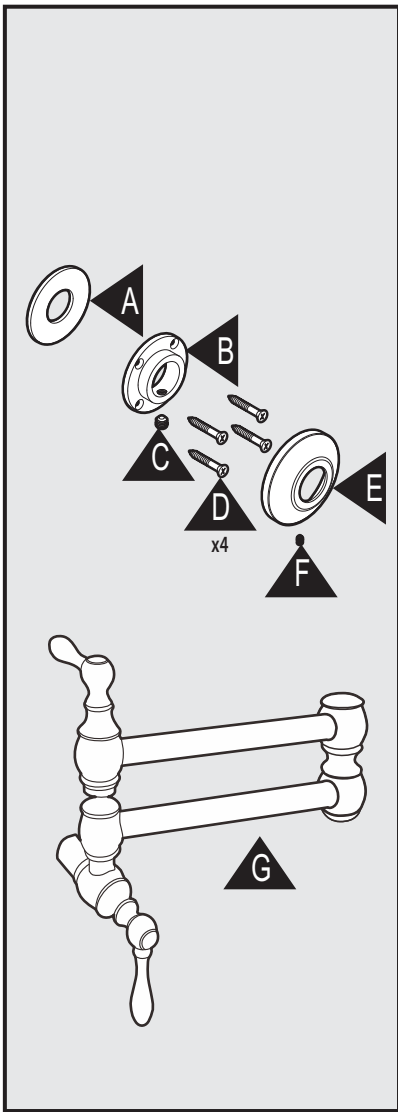
Always turn water supply OFF before removing existing faucet or disassembling the valve. Open faucet handle to relieve water pressure and ensure that complete water shut-off has been accomplished.

CARE INSTRUCTIONS

To preserve the finish on the metallic parts of your AFA Stainless faucet. Any cleaners should be rinsed off immediately. Mild abrasives are acceptable on brush and mirror finishes.

WALL-MOUNT POT FILLER FAUCET

AFKPT10



AFA Stainless

