

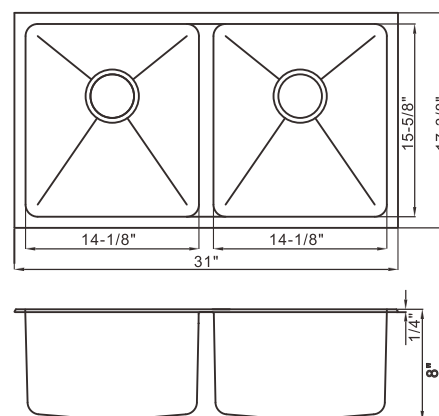
AF1R3117TE

0.60 INCH(15MM) RADIUS CORNER INSET &
UNDERMOUNT SINKS



Specifications

Item number	AF1R3117TE
Material	Stainless steel 304
Sink Mount Type	Top-mount/Drop-in
Bowl Configuration	Double equal
Number of bowls	2
Sink Gauge	16
Manufacturer Color/Finish	stainless steel brushed finish
Minimum Cabinet Size (Inches)	35"
Number of Faucet Holes	None(customizable)
Width (Inches)	17-3/8"
Length (Inches)	31"
Depth of Bowl 1 (Inches)	8"
Depth of Bowl 2 (Inches)	None
Depth of Bowl 3 (Inches)	None
Heat Resistance in Degrees F	600+
Cutout Below Counter Height	8"
Cutout Width (Inches)	15-3/4"
Cutout Length (Inches)	29-1/2"
Noise Insulation	Yes
Includes Mounting Hardware	Yes
Includes Drain	No
Drain Location	offset
CUPC Safety Listing	Yes
Warranty	25-Year
Gross Weight (lbs.)	25.7
Net weight (lbs.)	18.7
Length of package (Inches)	32-1/2"
Width of package (Inches)	19
Height of package (Inches)	10-1/2"



Recommended accessories

Faucet	AFKPD03
Bottom Grid	4541G
Chopping Board	4327
Strainer	904

Features

- Premium 16-gauge T-304 Stainless Steel
- 18/8 Chrome-Nickel content
- 0.6 INCH(15MM) bowl radius with architectural design and years of handcrafted expertise
- *MLSD* multi level sound deadening technology
- Mounting hardware and template included
- Limited lifetime warranty