

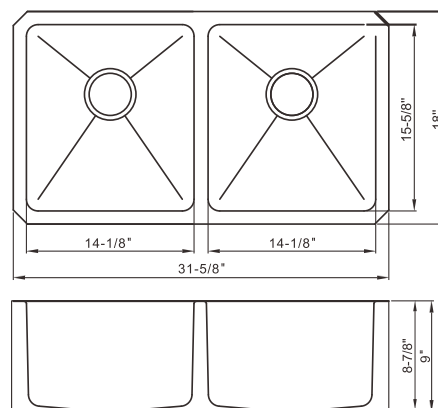
AF2R3218EAPR

APRON FRONT AFA DIVIDE EXCLUSIVE
TO AFA SINKS



Specifications

Item number	AF2R3218EAPR
Material	Stainless steel 304
Sink Mount Type	Apron-front/under-mount
Bowl Configuration	Double equal
Number of bowls	2
Sink Gauge	16
Manufacturer Color/Finish	stainless steel brushed finish
Minimum Cabinet Size (Inches)	36"
Number of Faucet Holes	None(customizable)
Width (Inches)	18"
Length (Inches)	31-5/8"
Depth of Bowl 1 (Inches)	9"
Depth of Bowl 2 (Inches)	9"
Depth of Bowl 3 (Inches)	none
Heat Resistance in Degrees F	600+
Cutout Below Counter Height	9"
Cutout Width (Inches)	15-1/2"
Cutout Length (Inches)	29-3/8"
Noise Insulation	Yes
Includes Mounting Hardware	Yes
Includes Drain	No
Drain Location	offset
CUPC Safety Listing	Yes
Warranty	25-Year
Gross Weight (lbs.)	32.2
Net weight (lbs.)	26
Length of package (Inches)	32-1/2"
Width of package (Inches)	19"
Height of package (Inches)	10-1/2"



Features

- Premium 16-gauge T-304 Stainless Steel
- 18/8 Chrome-Nickel content
- AFA DIVIDE Exclusive to AFA 1 INCH(25MM) bowl radius
- *MLSD* multi level sound deadening technology
- Mounting hardware and template included
- Limited lifetime warranty

Recommended accessories

Faucet	AFKPD02
Bottom Grid	4541G
Chopping Board	4527
Strainer	904