

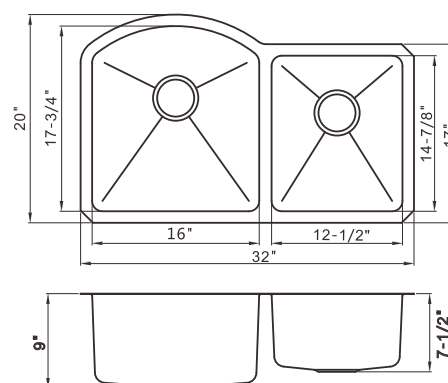
AF2R3220UL

1 INCH(25MM) RADIUS CORNER
DOUBLE BOWL UNDERMOUNT SINKS



Specifications

Item number	AF2R3220UL
Material	Stainless steel 304
Sink Mount Type	under-mount
Bowl Configuration	offset
Number of bowls	2
Sink Gauge	16
Manufacturer Color/Finish	stainless steel brushed finish
Minimum Cabinet Size (Inches)	36"
Number of Faucet Holes	None(customizable)
Width (Inches)	20"
Length (Inches)	32"
Depth of Bowl 1 (Inches)	9"
Depth of Bowl 2 (Inches)	7-1/2"
Depth of Bowl 3 (Inches)	None
Heat Resistance in Degrees F	600+
Cutout Below Counter Height	9"
Cutout Width (Inches)	17-3/4"
Cutout Length (Inches)	29-3/4"
Noise Insulation	Yes
Includes Mounting Hardware	Yes
Includes Drain	No
Drain Location	offset
CUPC Safety Listing	Yes
Warranty	25-Year
Gross Weight (lbs.)	23.8
Net weight (lbs.)	18.2
Length of package (Inches)	32-1/2"
Width of package (Inches)	21-1/4"
Height of package (Inches)	10"



Recommended accessories

Faucet	AFKPD07
Bottom Grid	460BG
Chopping Board	4427
Strainer	904

Features

- Premium 16-gauge T-304 Stainless Steel
- 18/8 Chrome-Nickel content
- Design with drain grooves and handcrafted 1 INCH(25MM) bowl radius
- *MLSD* multi level sound deadening technology
- Mounting hardware and template included
- Limited lifetime warranty