

AF2R3221UED

1 INCH(25MM) RADIUS CORNER AFA DIVIDE
UNDERMOUNT SINKS

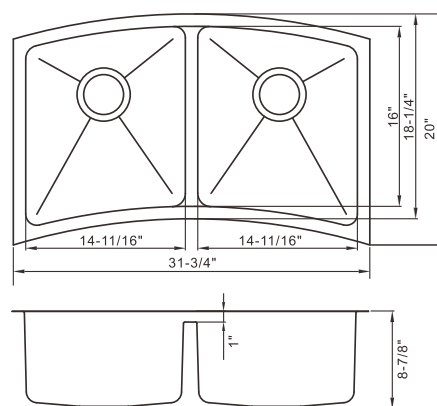


Specifications

Item number	AF2R3221UED
Material	Stainless steel 304
Sink Mount Type	under-mount
Bowl Configuration	Double equal
Number of bowls	2
Sink Gauge	16
Manufacturer Color/Finish	stainless steel brushed finish
Minimum Cabinet Size (Inches)	36"
Number of Faucet Holes	None(customizable)
Width (Inches)	20"
Length (Inches)	31-3/4"
Depth of Bowl 1 (Inches)	8-7/8"
Depth of Bowl 2 (Inches)	8-7/8"
Depth of Bowl 3 (Inches)	None
Heat Resistance in Degrees F	600+
Cutout Below Counter Height	9"
Cutout Width (Inches)	16"
Cutout Length (Inches)	29-1/2"
Noise Insulation	Yes
Includes Mounting Hardware	Yes
Includes Drain	No
Drain Location	offset
CUPC Safety Listing	Yes
Warranty	25-Year
Gross Weight (lbs.)	24.8
Net weight (lbs.)	19.3
Length of package (Inches)	32-1/2"
Width of package (Inches)	21"
Height of package (Inches)	8"

Recommended accessories

Faucet	AFKPD07
Chopping Board	5217
Strainer	904



Features

- Premium 16-gauge T-304 Stainless Steel
- 18/8 Chrome-Nickel content
- Exclusive to AFA 25MM Radius corner and handcrafted technology Brushed Finish
- *MLSD* multi level sound deadening technology
- Mounting hardware and template included
- Limited lifetime warranty