

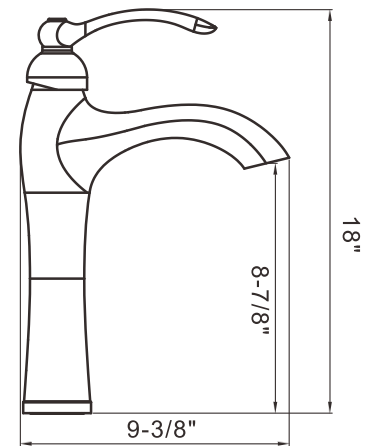
AFBSH01A

STAINLESS STEEL BATH FAUCET



Specifications

Item number	AFBSH01A
Material	Stainless steel 304
Mounting Type	Vessel
Mounting Location	Sink/Counter mount
Manufacturer Color/Finish	Brushed finish
Number of Faucet Handles	1-handle
Handle Type	Lever
Max Flow Rate	1.5 GPM(5.7LPM)
Maximum Faucet Height (Inches)	18"
Spout Reach (Inches)	7-1/2"
Spout Height (Inches)	8-7/8"
CUPC Safety Listing	Yes
NSF Safety Listing	Yes
Complies with Federal Lead	Yes
CA and VT Low-lead Standards	Yes
ADA compliant	Yes
Items Required for Standard	Teflon tape, basin wrench, protective eyewear
Drain Included	No
Drain Material	No
Warranty	5-year
Gross Weight (lbs.)	7.7
Net weight (lbs.)	6.6
Length of package (Inches)	17"
Width of package (Inches)	13-1/2"
Height of package (Inches)	2-3/4"



Features

- Single hole lavatory faucet with fixed spout
- Solid Stainless Steel, handcrafted brushed finish
- T-304 Stainless Steel 18/8 Chrome-Nickel content
- Fluehs®40 cartridge with ceramic disk
- Handle for easy operation
- Mounting hole size: \varnothing 1-3/8"