

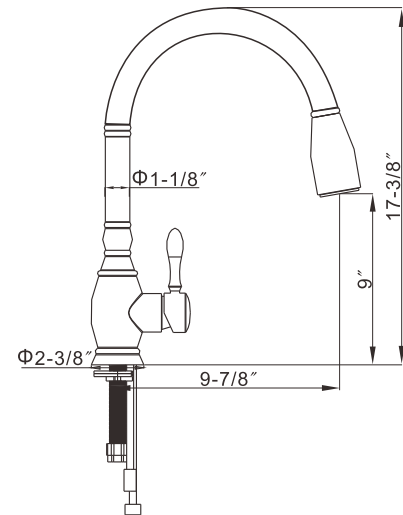
AFKPO17

SOLID STAINLESS STEEL
KITCHEN FAUCET



Specifications

| | |
|--------------------------------------|---|
| Item number | AFKPO17 |
| Material | Stainless steel 304 |
| Faucet Type | Pull-down |
| Number of Faucet Handles | 1-handle |
| Handle Type | lever |
| Mounting Location | sink/counter mount |
| Manufacturer Color/Finish | Brushed finish |
| Spray and Stream | Yes |
| Max Flow Rate | 1.5 GPM(5.7LPM) |
| Maximum Deck Thickness(Inches) | 1-3/4" |
| Maximum Faucet Height(Inches) | 17-3/8" |
| Spout Height (Inches) | 9" |
| Side Spray Included | No |
| Deck Plate Included | No |
| 1-Hole Sink Compatible | Yes |
| 2-Hole Sink Compatible | No |
| 3-Hole Sink Compatible | No |
| 4-Hole Sink Compatible | No |
| CUPC Safety Listing | Yes |
| NSF Safety Listing | Yes |
| Complies with Federal Lead | Yes |
| CA and VT Low-lead Standards | Yes |
| ADA compliant | Yes |
| Items Required for Standard Warranty | Protective eyewear, Teflon tape, Basin Wrench |
| Gross Weight (lbs.) | 12.1 |
| Net weight (lbs.) | 9.7 |
| Length of package (Inches) | 35" |
| Width of package (Inches) | 17" |
| Height of package (Inches) | 3-1/2" |



Features

- Solid Stainless Steel, brushed finish
- T-304 Stainless Steel 18/8 Chrome-Nickel content
- Fluehs®35 cartridge with ceramic disk
- Single lever and pull-down spray with 2 function jet
- 2-Function concealed spray with AFA Stainless Jet Technology(ASJT)
- Extra long levers for easy reach and jet can be fixed in various positions
- Mounting hole size: Ø 1-5/8"