

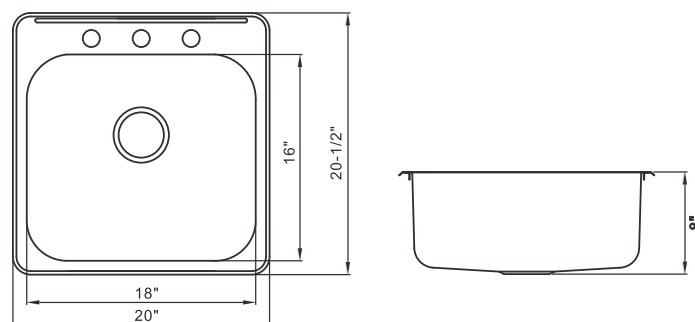
## AFUR2021TS

### TOPMOUNT SINGLE BOWL SINKS



### Specifications

Item number	AFUR2021TS
Material	Stainless steel 304
Sink Mount Type	Top-mount
Bowl Configuration	Single
Number of bowls	1
Sink Gauge	20
Manufacturer Color/Finish	stainless steel brushed finish
Minimum Cabinet Size (Inches)	24"
Number of Faucet Holes	One(customizable)
Width (Inches)	20-1/2"
Length (Inches)	20"
Depth of Bowl 1 (Inches)	8"
Depth of Bowl 2 (Inches)	None
Depth of Bowl 3 (Inches)	None
Heat Resistance in Degrees F	300+
Cutout Below Counter Height	8"
Cutout Width (Inches)	16-1/2"
Cutout Length (Inches)	16-7/8"
Noise Insulation	Yes
Includes Mounting Hardware	Yes
Includes Drain	No
Drain Location	offset
CUPC Safety Listing	Yes
Warranty	25-Year
Gross Weight (lbs.)	11.5
Net weight (lbs.)	8.2
Length of package (Inches)	21"
Width of package (Inches)	21-1/2"
Height of package (Inches)	9"



### Features

- Premium 20-gauge T-304 Stainless Steel
- 18/8 Chrome-Nickel content
- Elegant topmount design with a handcrafted brush finish and effortless to install
- *MLSD* multi level sound deadening technology
- Mounting hardware and template included
- Limited lifetime warranty

### Recommended accessories

Faucet	AFKSH04
Bottom Grid	5152G
Chopping Board	4320
Strainer	904