

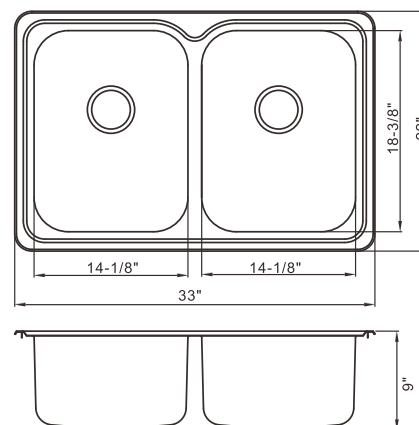
AFUR3322TEB

TOPMOUNT DOUBLE BOWL SINKS



Specifications

Item number	AFUR3322TEB
Material	Stainless steel 304
Sink Mount Type	Top-mount
Bowl Configuration	Double equal
Number of bowls	2
Sink Gauge	18
Manufacturer Color/Finish	stainless steel brushed finish
Minimum Cabinet Size (Inches)	37"
Number of Faucet Holes	One(customizable)
Width (Inches)	22"
Length (Inches)	33"
Depth of Bowl 1 (Inches)	9"
Depth of Bowl 2 (Inches)	9"
Depth of Bowl 3 (Inches)	None
Heat Resistance in Degrees F	300+
Cutout Below Counter Height	9"
Cutout Width (Inches)	20-5/8"
Cutout Length (Inches)	31-3/4"
Noise Insulation	Yes
Includes Mounting Hardware	Yes
Includes Drain	No
Drain Location	offset
CUPC Safety Listing	Yes
Warranty	25-Year
Gross Weight (lbs.)	
Net weight (lbs.)	
Length of package (Inches)	
Width of package (Inches)	
Height of package (Inches)	



Features

- Premium 18-gauge T-304 Stainless Steel
- 18/8 Chrome-Nickel content
- Elegant topmount design with a handcrafted brush finish and effortless to install
- *MLSD* multi level sound deadening technology
- Mounting hardware and template included
- Limited lifetime warranty

Recommended accessories

Faucet	AFKPD03
Bottom Grid	802LG
Chopping Board	4227
Strainer	904