

Installation Guide

Please contact AFA first

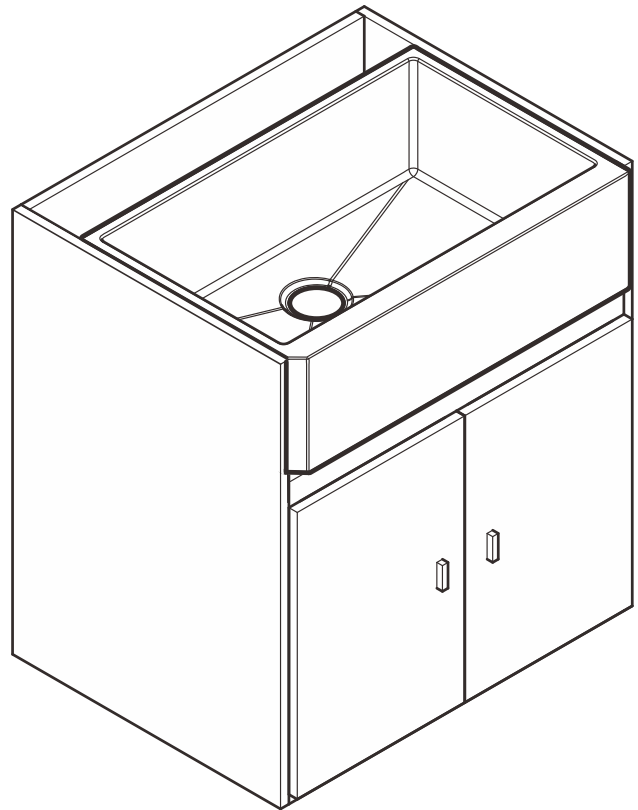
For Installation Help, Missing or Replacement Parts

Phone: (949)477-4195

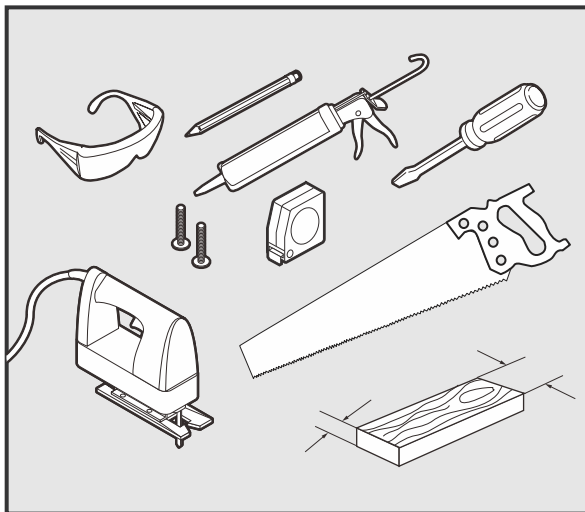
Fax: (949)477-4196

Email: customer.service@afastainless.com

AFA US LLC

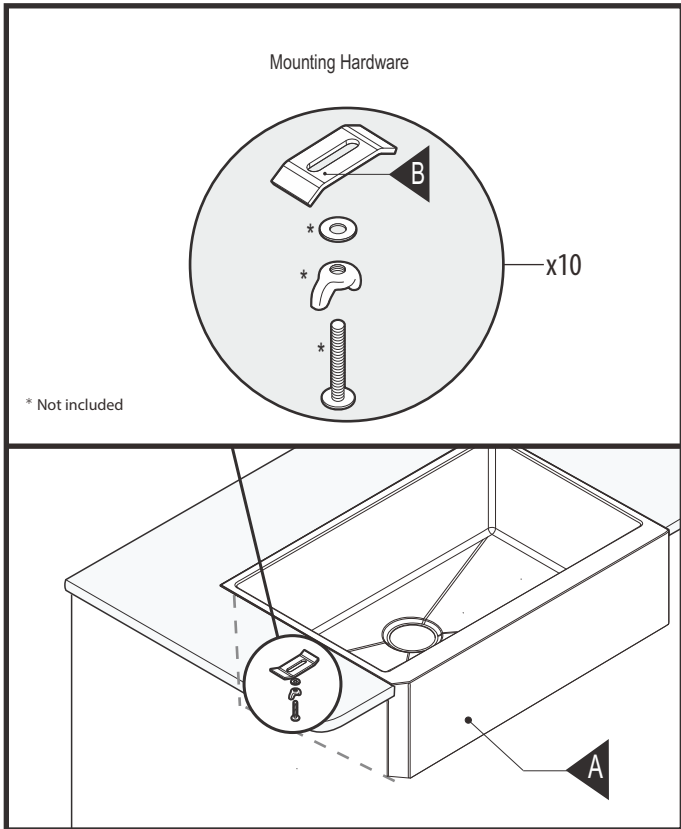


STAINLESS STEEL UNDERMOUNT APRON SINKS
INCLUDES ALL AFA APRON SINKS



HELPFUL TOOLS

For safety and ease of product installation, AFA recommends the use of these helpful tools.



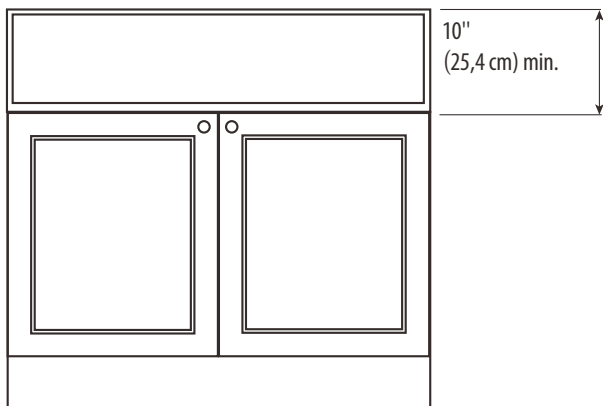
Parts List

A. Apron Sink B. Bracket(x10)

ROUGHING-IN

IMPORTANT!

Before installing this sink, verify the opening height is at least 10" from the top of the cabinet to the top of the doors.



- ! IMPORTANT!** Before beginning this installation, refer to the "Roughing In" section for cabinet dimensional requirements.
- ! IMPORTANT!** This sink must be installed prior to the installation of the countertop. Cut-line is based from the back of the cabinet.
- ! IMPORTANT!** Long screws may damage adjacent cabinets. Ensure the screws are long enough to secure the support framing, but short enough not to extend through the inner walls of the adjacent cabinets.

TIPS: Due to the nature of undercounter installations, AFA stainless recommends that undercounter sink installations be performed by trained and experienced installers.

Use proper fasteners and techniques to ensure that the frame will support a minimum of 300lbs (136 kg). Locate the fasteners for easy access in the event the sink needs to be removed.

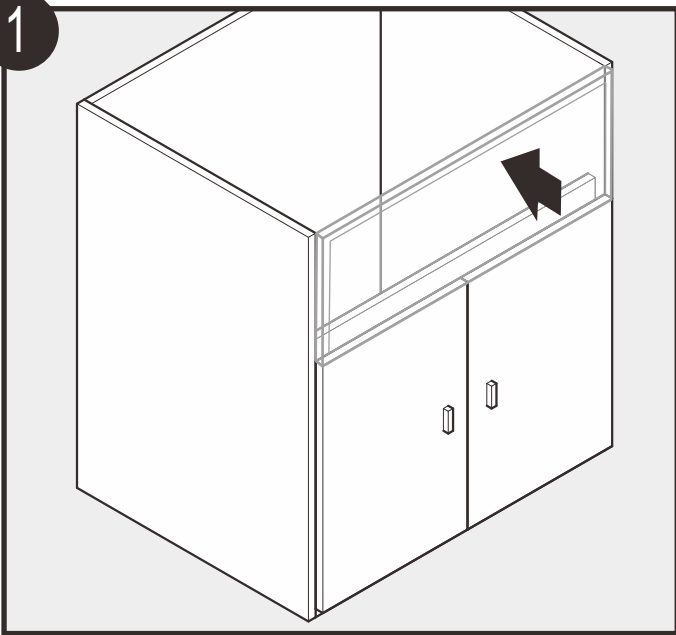
Plan the sink installation so future removal from underneath the countertop is possible without damaging the countertop.

For ease of installation, install the strainer assemblies to the sink prior to installing the sink.

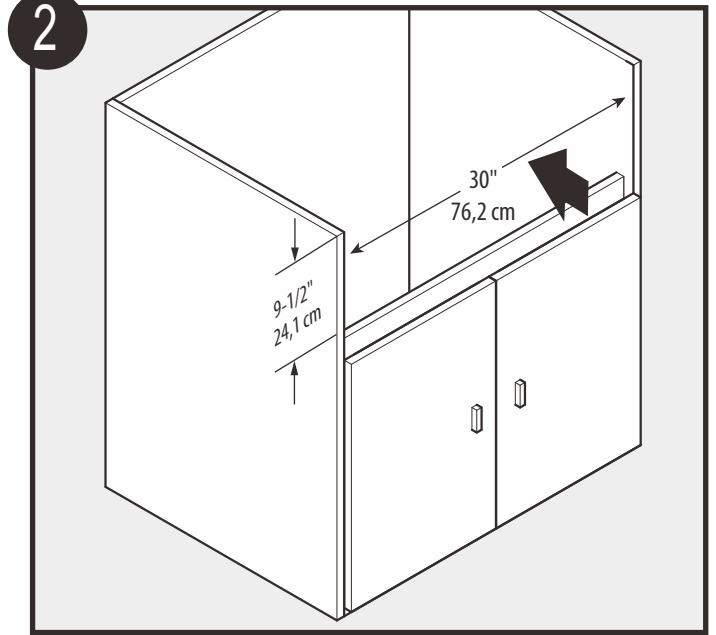
Anchors and fasteners to be provided and installed by the countertop manufacturer.

Observe all local plumbing and building codes.

PREPARATION



Remove the false drawer front from your cabinet.

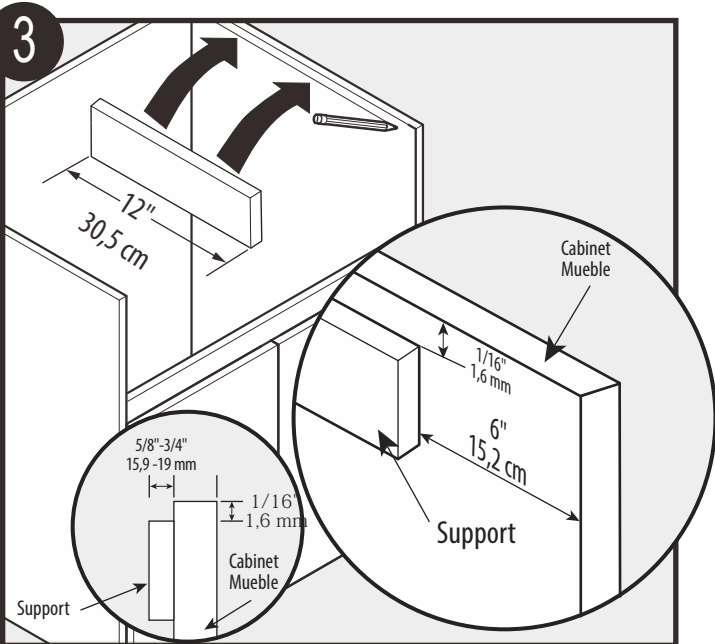


Carefully cut away the top rail center support.

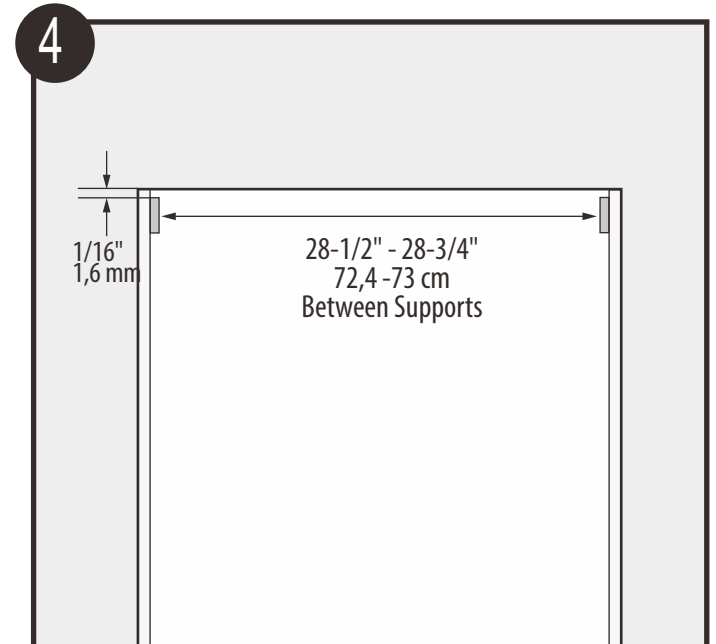
INSTALL WOOD SUPPORTS



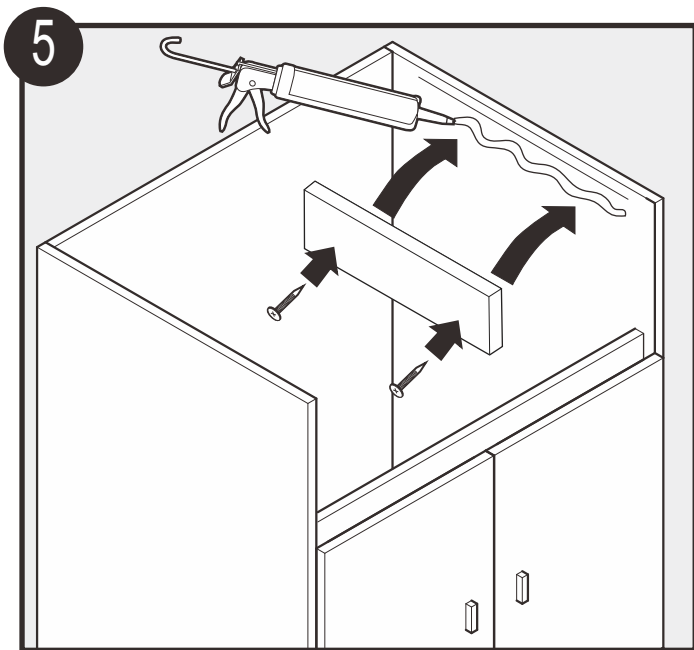
NOTICE: For proper countertop installation, the top of the sink must not extend above the top edge of the cabinet.



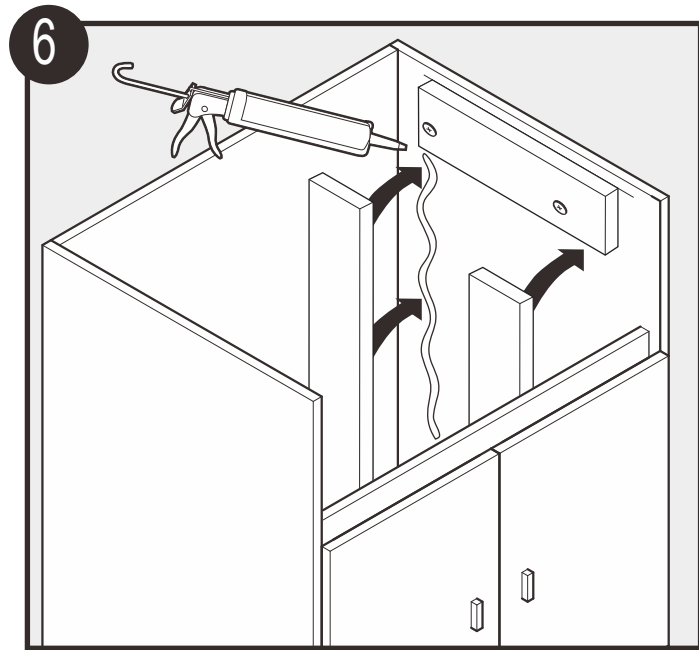
! Cut two lengths of support framing to extend along the inside walls on each side of the base. Mark the support mounting locations as shown; ensuring the sink rim will sit at or slightly below the top edge of the cabinet.



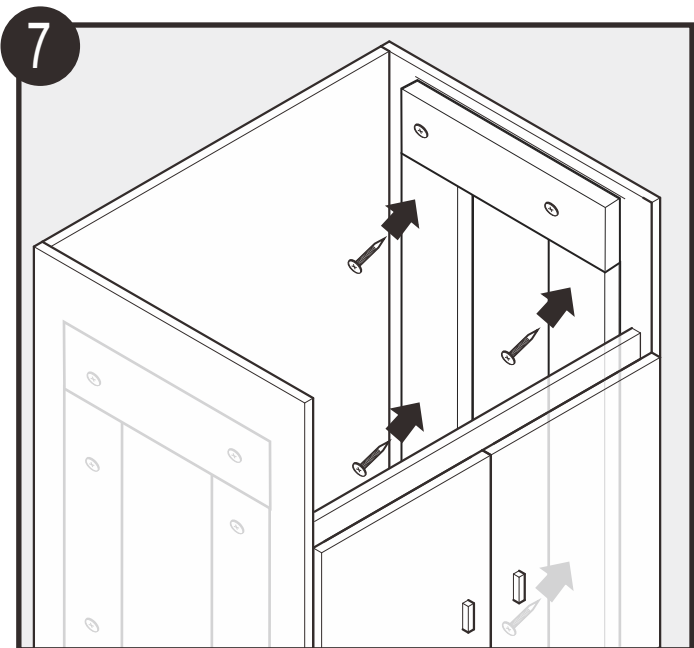
Ensure proper spacing is achieved before gluing and inserting screws into wood and cab.



Position and level the supports. Secure the supports with construction adhesive and screws. (not provided).

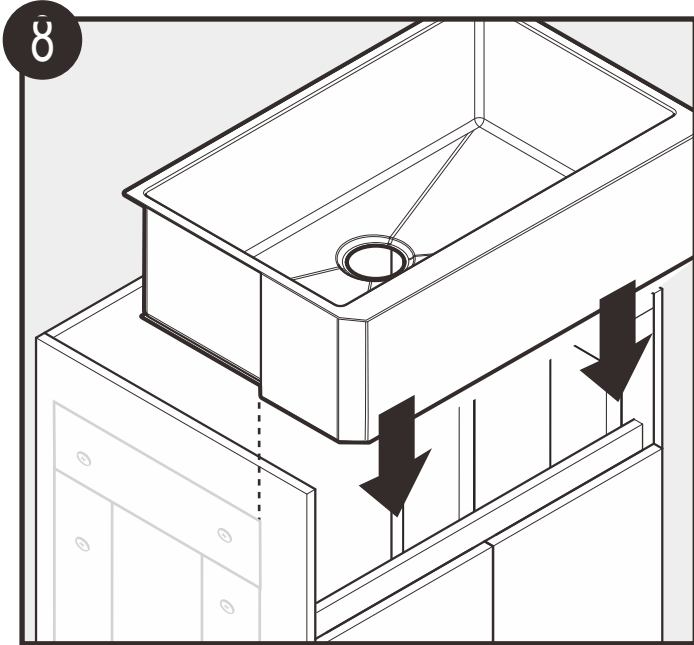


Cut four lengths of support framing of the same thickness of the top support to extend from the bottom of the installed supports to the floor of the cabinet.

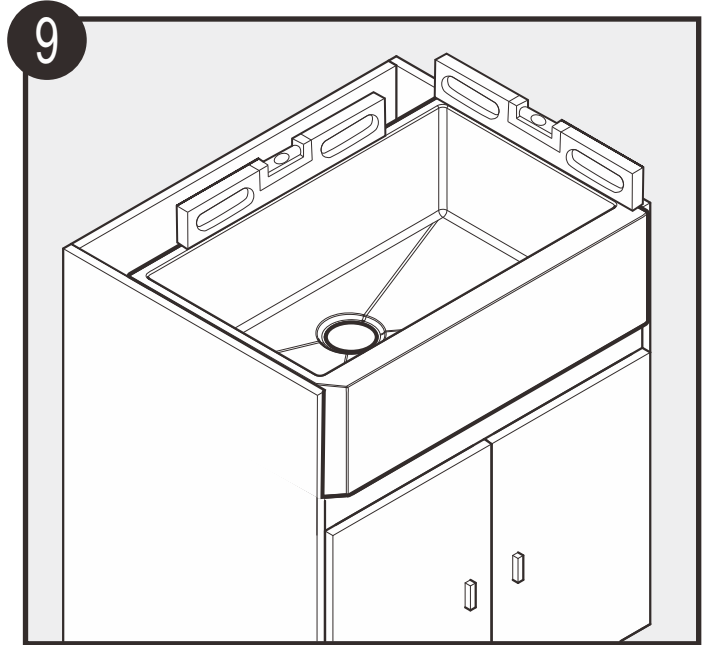


Secure the vertical supports with construction adhesive and screws (not provided).

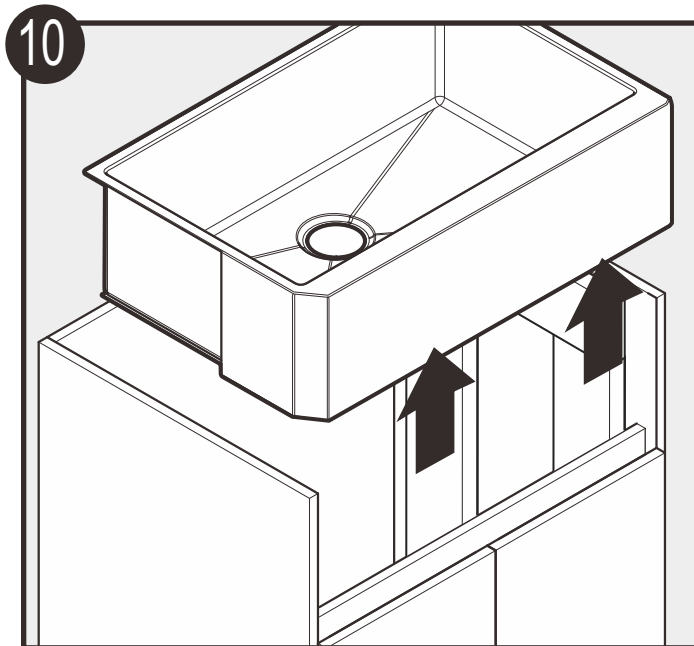
INSTALL THE SINK



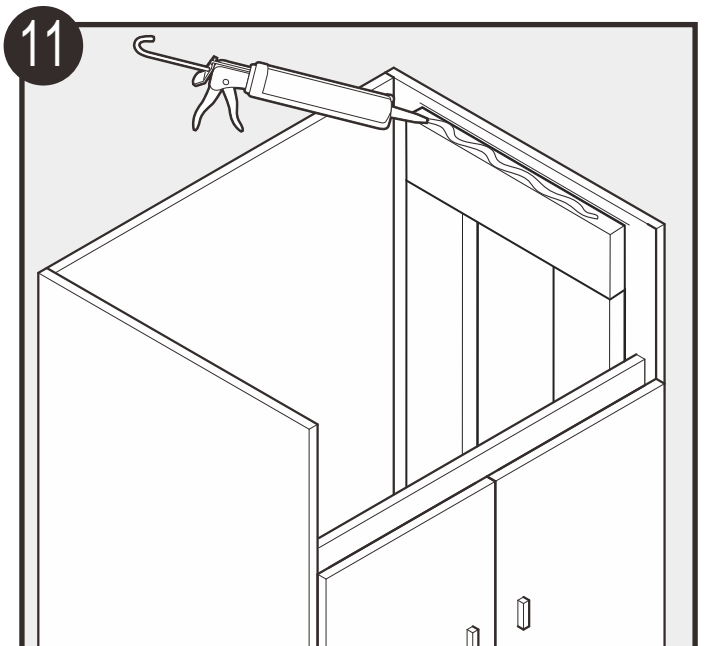
Lower the sink into the cabinet. Verify the sink is resting by the supports.



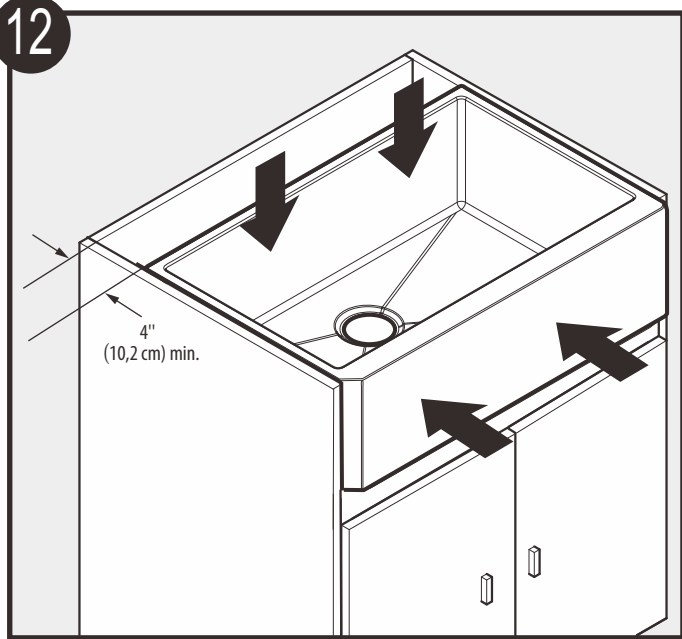
Verify the sink is level, make any adjustments and shim as needed.



Remove the sink.

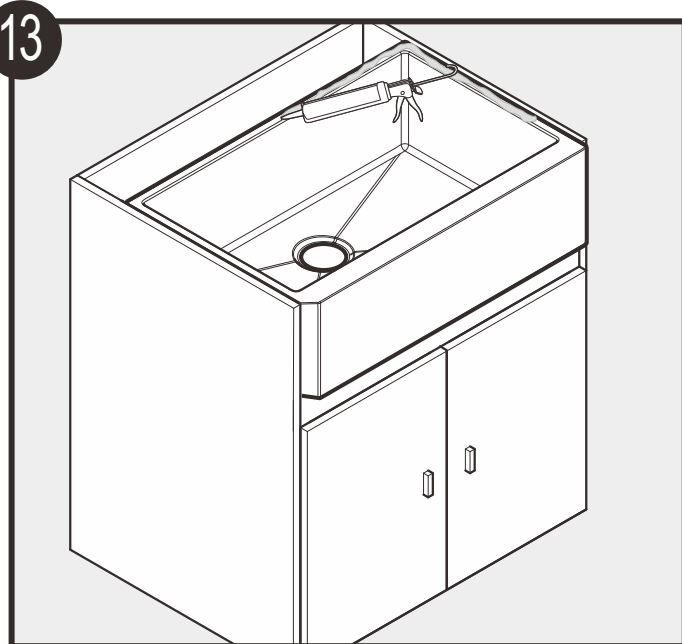


Apply a bead of silicone sealant to the top of each support.

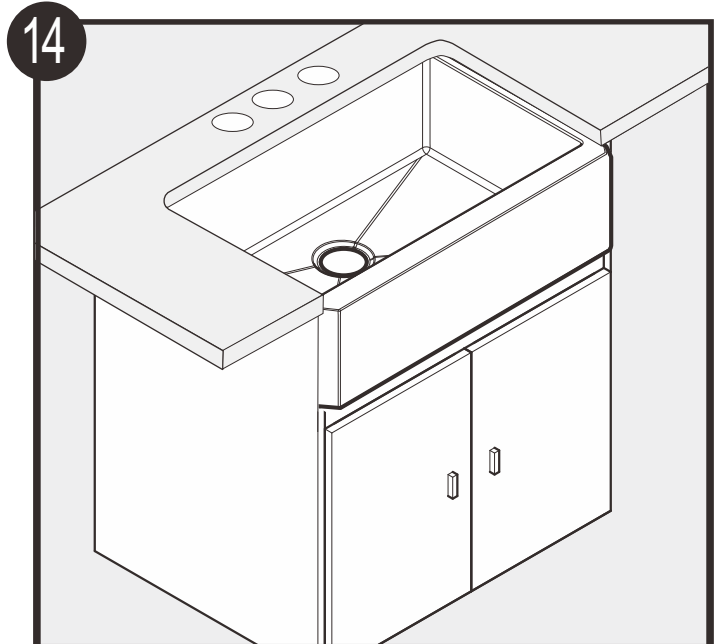


Lower the sink onto the supports and push in to desired position of the cabinet. Sink should be positioned so that at least 4" between the back of the cabinet and the back of bowl exists for faucet installation.

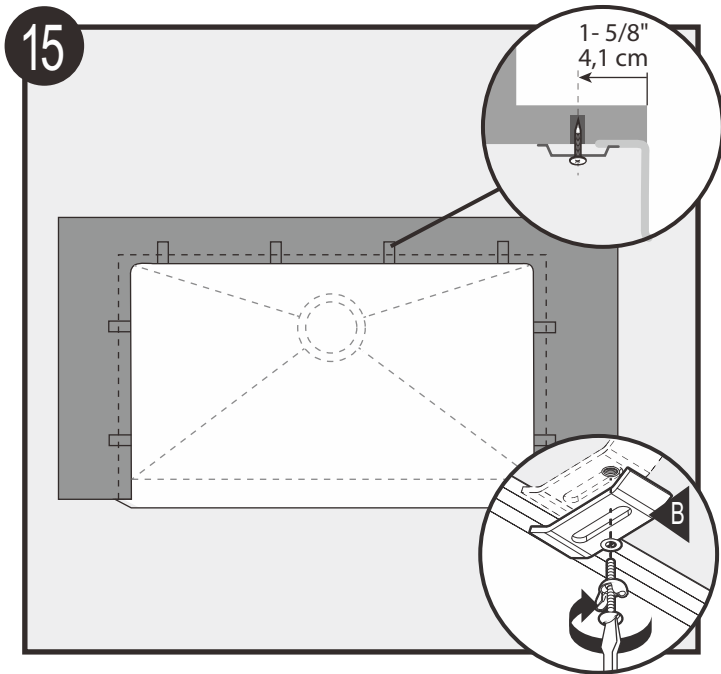
INSTALL THE COUNTERTOP



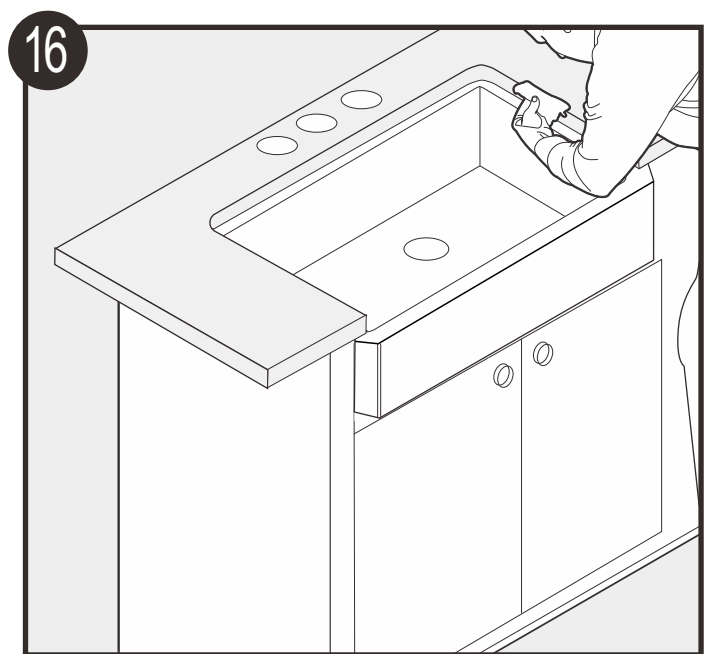
Apply a bead of silicone sealant around the side and back of the sink.



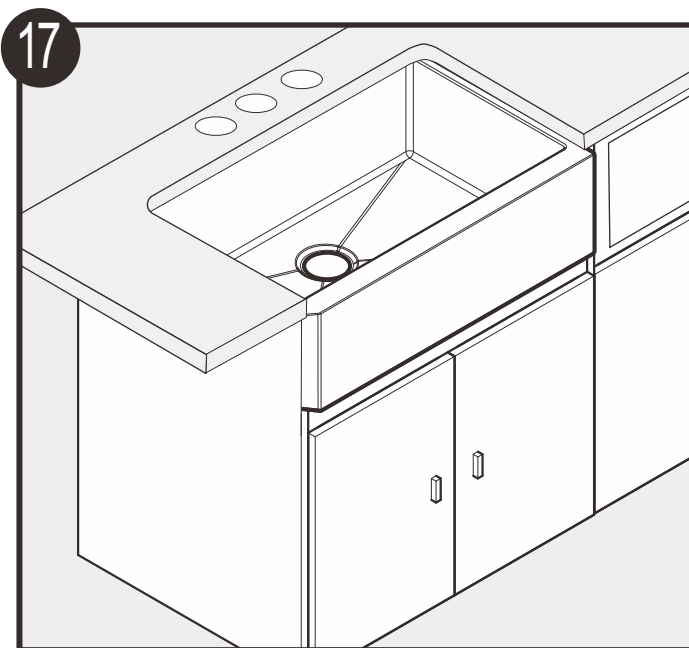
Install the countertop. Apply a thin bead of silicone sealant where the sink meets the countertop and cabinet.



Install the clips to the countertop, ensure each clip engages the rim. (Minimum 4 clips in back, 2 clips per side). Tighten evenly.



Complete counter installation and wipe away any excess caulk from sink rim.



Connect faucet and drain fittings.