

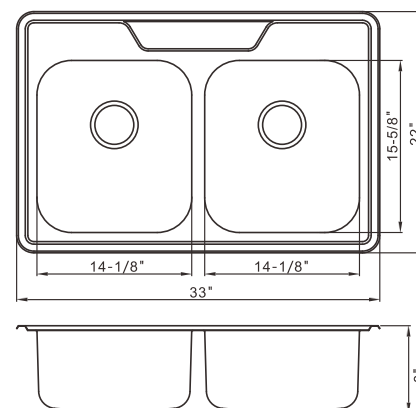
AFUR3322TE

TOPMOUNT DOUBLE BOWL SINKS



Specifications

Item number	AFUR3322TE
Material	Stainless steel 304
Sink Mount Type	Top-mount
Bowl Configuration	Double equal
Number of bowls	2
Sink Gauge	18
Manufacturer Color/Finish	stainless steel brushed finish
Minimum Cabinet Size (Inches)	37"
Number of Faucet Holes	One
Width (Inches)	22"
Length (Inches)	33"
Depth of Bowl 1 (Inches)	8"
Depth of Bowl 2 (Inches)	8"
Depth of Bowl 3 (Inches)	None
Heat Resistance in Degrees F	300+
Cutout Below Counter Height	8"
Cutout Width (Inches)	20-7/8"
Cutout Length (Inches)	31-7/8"
Noise Insulation	Yes
Includes Mounting Hardware	Yes
Includes Drain	No
Drain Location	offset
CUPC Safety Listing	Yes
Warranty	25-Year
Gross Weight (lbs.)	19.8
Net weight (lbs.)	13.4
Length of package (Inches)	33-7/8"
Width of package (Inches)	22-7/8"
Height of package (Inches)	10"



Features

- Premium 18-gauge T-304 Stainless Steel
- 18/8 Chrome-Nickel content
- Elegant topmount design with a handcrafted brush finish and effortless to install
- *MLSD* multi level sound deadening technology
- Mounting hardware and template included
- Limited lifetime warranty

Recommended accessories

Faucet	AFKPO05
Bottom Grid	8400G
Chopping Board	4227
Strainer	904