

Installation Guide

Please contact AFA first

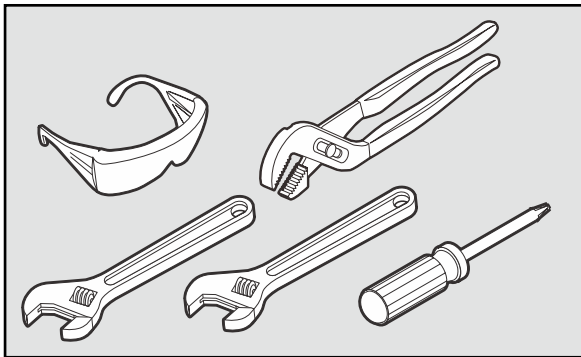
For Installation Help, Missing or Replacement Parts

Phone: (949)477-4195

Fax: (949)477-4196

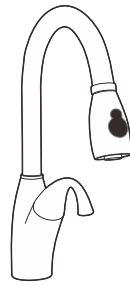
Email: customer.service@afastainless.com

AFA USA LLC

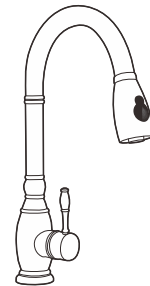


HELPFUL TOOLS

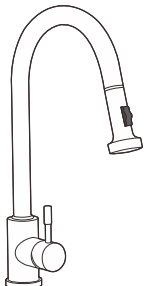
For safety and ease of faucet replacement, AFA recommends the use of these helpful tools.



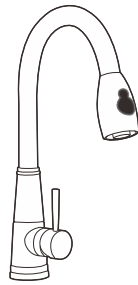
AFKPD07



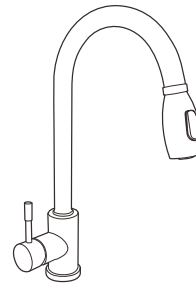
AFKP017



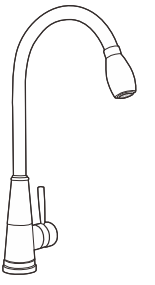
AFKP015



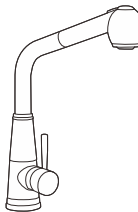
AFKPD08



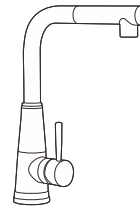
AFKP015B



AFKPD03

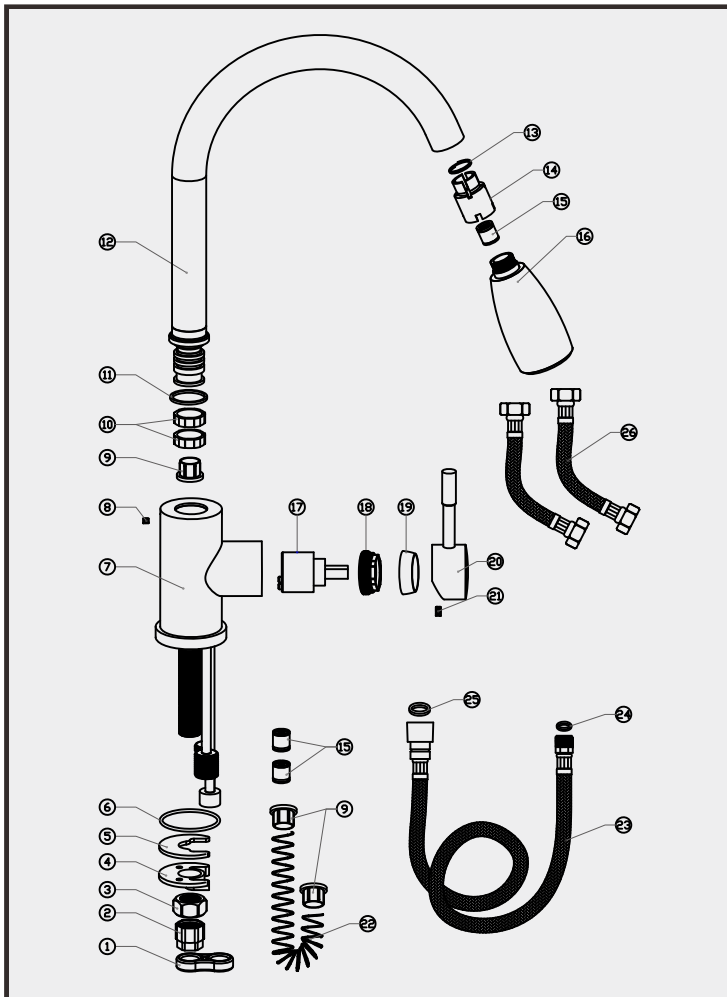


AFKP006



AFKP005

SINGLE HANDLE PULLDOWN KITCHEN FAUCET

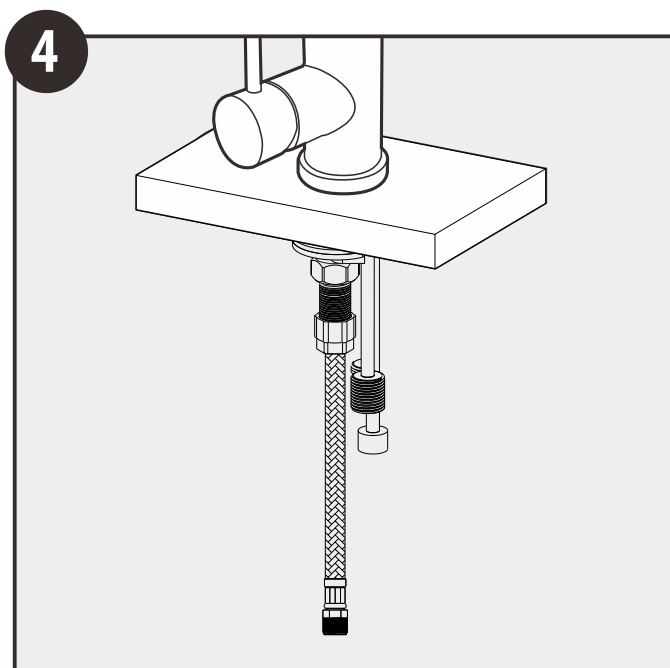
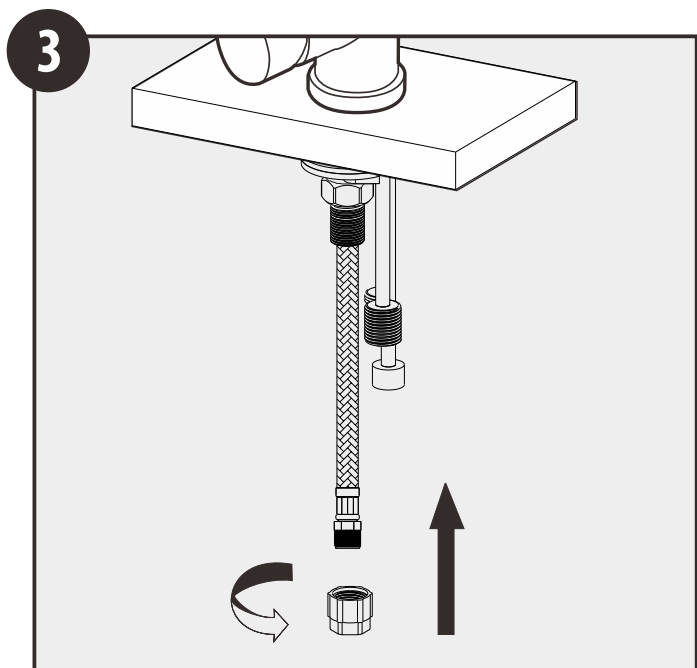
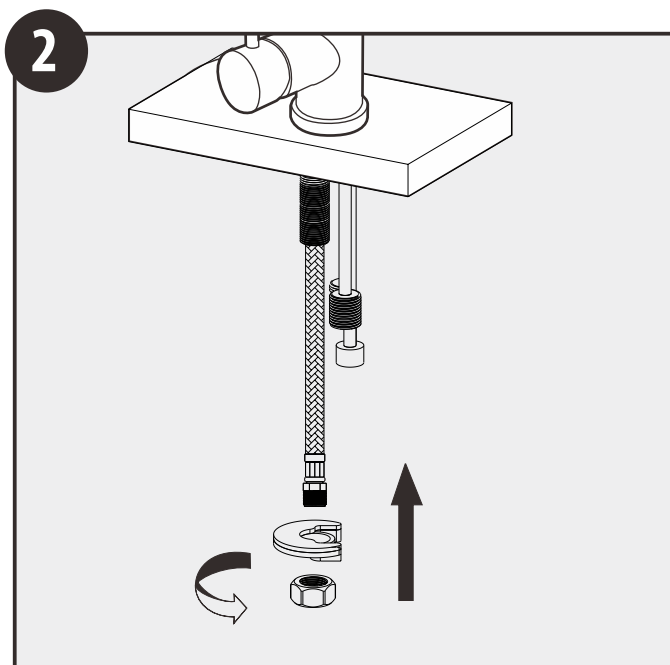
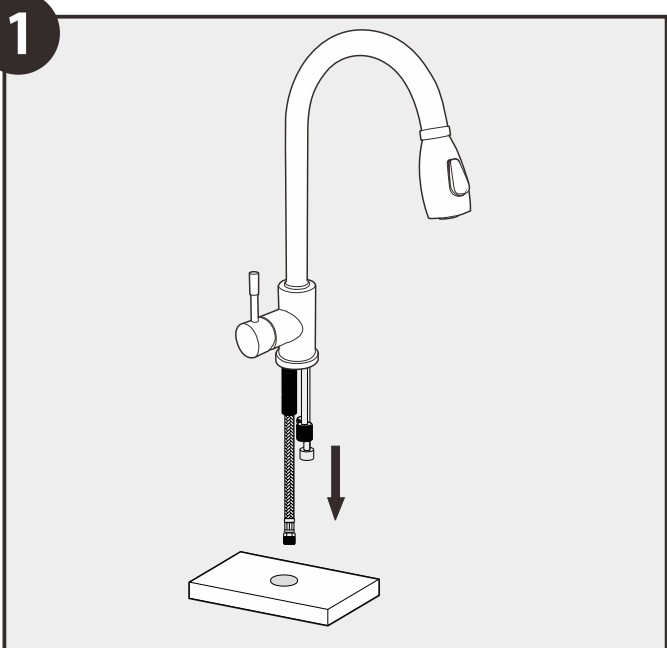


1. Spring coil
2. Nut
3. M19 nut
4. Horseshoe
5. Gasket
6. O-ring
7. Body
8. Screw
9. Wearing plug
10. Opening ring
11. Wearing ring
12. Outlet elbow
13. Spring
14. Wearing plug
15. Check valve
16. Outlet nozzle
17. Ceramic cartridge
18. Pressure cap
19. Pressure cap
20. Handle
21. Screw
22. Spring
23. Hose
24. Rubber flat pad
25. Rubber flat pad
26. Hose

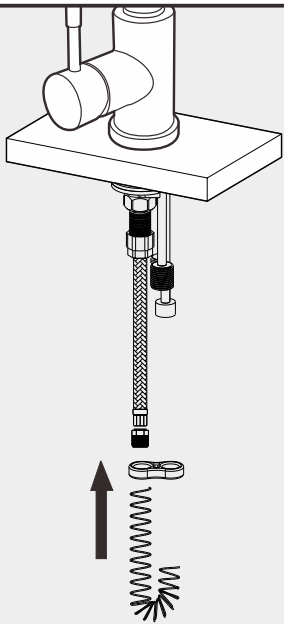


CAUTION — TIPS FOR REMOVAL OF OLD FAUCET:

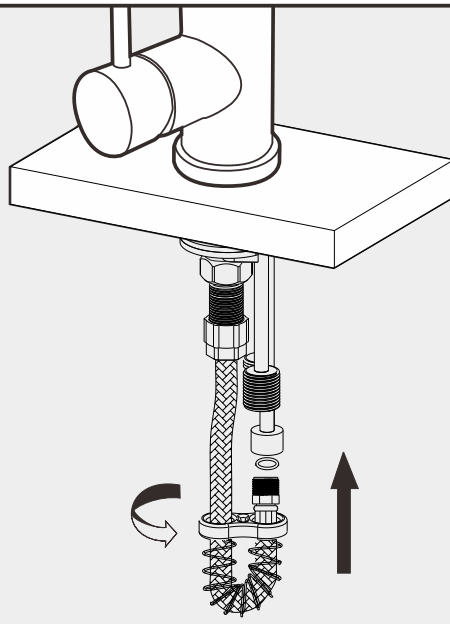
Always turn water supply OFF before removing existing faucet or disassembling the valve. Open faucet handle to relieve water pressure and ensure that complete water shut-off has been accomplished.



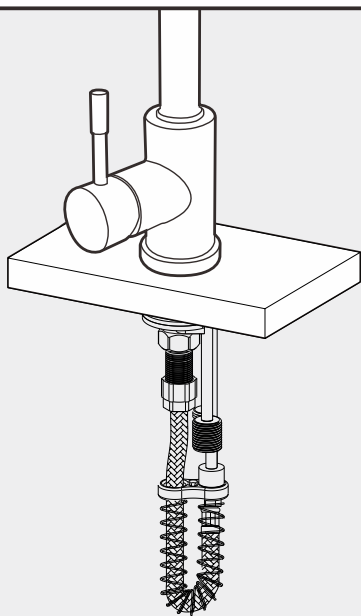
5



6



7



8

