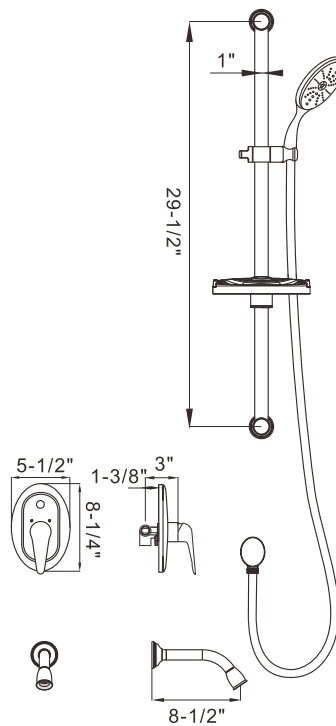


AFNZ08

STAINLESS STEEL CONCEALED SHOWER

Specifications

Item number	AFNZ08
Shower Type	Tub/ Shower
Manufacturer Color/Finish	Brushed finish
Total Height	72"-78" to floor
Showerhead Diameter(Inches)	None applicalbe
Max Flow Rate(Showerhead)	None applicalbe
Showerhead Material	None applicalbe
Showerhead Pause/Trickle Control	No
Number of Showerhead Spray	None applicalbe
Handheld Showerhead Diameter	5-1/2"
Max Flow Rate(Handheld)	2.5 GPM(9.5LPM)
Handheld Material	Plastic
Handheld Pause/Trickle Control	No
Number of Handheld Spray Patterns	5-way
Includes Slide Bar	Yes
Slide Bar length (Inches)	29-1/2"
Hose Material	Stainless steel 304
Hose Length(Inches)	59"
Shower handle Type	Lever
Shower handle length (Inches)	8-1/4"
Shower handle Width (Inches)	5-1/2"
Shower handle height (Inches)	3"
Valve include	Yes
Tub length (Inches)	8-1/2"
Diverter Type	2-way
Pressure Balance/Scald Guard	Yes
Temperature Limit Control	Yes
Connection Type	NPT
CUPC Safety Listing	yes
Warranty	5-year
Gross Weight (lbs.)	14.7
Net weight (lbs.)	10.8
Length of package (Inches)	32-1/2"
Width of package (Inches)	23-1/4"
Height of package (Inches)	5"



Features

- T-304 Stainless Steel, 18/8, Brushed finish
- Concealed shower valve with multifunction handset and bath filler
- 2 way diverter, large multifunction handset and bath filler
- Hand shower set with sliding rail kit for height adjustment
- Bath filler with direction adjustment
- Includes thermostatic ceramic disk cartridge