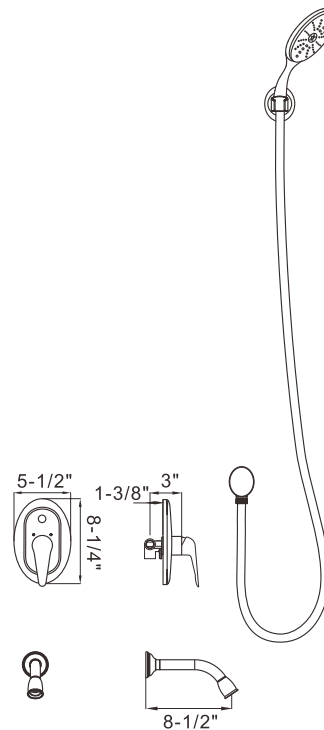


AFNZ09

STAINLESS STEEL CONCEALED SHOWER

Specifications

Item number	AFNZ09
Shower Type	Tub/ Shower
Manufacturer Color/Finish	Brushed finish
Total Height	72"-78" to floor
Showerhead Diameter(Inches)	None applicalbe
Max Flow Rate(Showerhead)	None applicalbe
Showerhead Material	None applicalbe
Showerhead Pause/Trickle Control	No
Number of Showerhead Spray	None applicalbe
Handheld Showerhead Diameter	5-1/2"
Max Flow Rate(Handheld)	2.5 GPM(9.5LPM)
Handheld Material	Plastic
Handheld Pause/Trickle Control	No
Number of Handheld Spray Patterns	5-way
Includes Slide Bar	No
Slide Bar length (Inches)	Stainless steel 304
Hose Material	59"
Hose Length(Inches)	Lever
Shower handle Type	8-1/4"
Shower handle length (Inches)	5-1/2"
Shower handle Width (Inches)	3"
Shower handle height (Inches)	Yes
Valve include	8-1/2"
Diverter Type	2-way
Pressure Balance/Scald Guard	Yes
Temperature Limit Control	Yes
Connection Type	NPT
CUPC Safety Listing	yes
Warranty	5-year
Gross Weight (lbs.)	9
Net weight (lbs.)	7.3
Length of package (Inches)	25"
Width of package (Inches)	14-1/2"
Height of package (Inches)	1-1/2"



Features

- T-304 Stainless Steel, 18/8, Brushed finish
- Concealed shower valve with multifunction hand shower and bath filler
- 2 way diverter, hand shower and bath filler
- Bath filler with direction adjustment
- Includes thermostatic ceramic disk cartridge