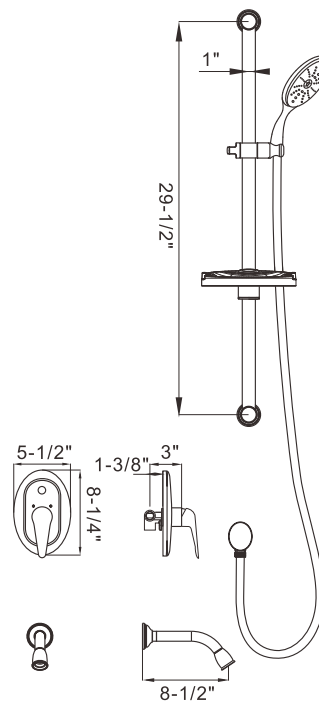


AFNZ10

STAINLESS STEEL CONCEALED SHOWER

Specifications

| | |
|-----------------------------------|---------------------|
| Item number | AFNZ10 |
| Shower Type | Tub/ Shower |
| Manufacturer Color/Finish | Brushed finish |
| Total Height | 72"-78" to floor |
| Showerhead Diameter(Inches) | None applicalbe |
| Max Flow Rate(Showerhead) | None applicalbe |
| Showerhead Material | None applicalbe |
| Showerhead Pause/Trickle Control | No |
| Number of Showerhead Spray | None applicalbe |
| Handheld Showerhead Diameter | 5-1/2" |
| Max Flow Rate(Handheld) | 2.5 GPM(9.5LPM) |
| Handheld Material | Plastic |
| Handheld Pause/Trickle Control | No |
| Number of Handheld Spray Patterns | 5-way |
| Includes Slide Bar | Yes |
| Slide Bar length (Inches) | 29-1/2" |
| Hose Material | Stainless steel 304 |
| Hose Length(Inches) | 59" |
| Shower handle Type | Lever |
| Shower handle length (Inches) | 8-1/4" |
| Shower handle Width (Inches) | 5-1/2" |
| Shower handle height (Inches) | 3" |
| Valve include | Yes |
| Tub length (Inches) | 8-1/2" |
| Diverter Type | 2-way |
| Pressure Balance/Scald Guard | Yes |
| Temperature Limit Control | Yes |
| Connection Type | NPT |
| CUPC Safety Listing | yes |
| Warranty | 5-year |
| Gross Weight (lbs.) | 14.3 |
| Net weight (lbs.) | 10.3 |
| Length of package (Inches) | 32-1/2" |
| Width of package (Inches) | 23-1/4" |
| Height of package (Inches) | 5" |



Features

- T-304 Stainless Steel, 18/8, Brushed finish
- Concealed shower valve with multifunction handset and bath filler
- 2 way diverter, large multifunction handset and bath filler
- Hand shower set with sliding rail kit for height adjustment
- Includes thermostatic ceramic disk cartridge