

Installation Guide

Please contact AFA first

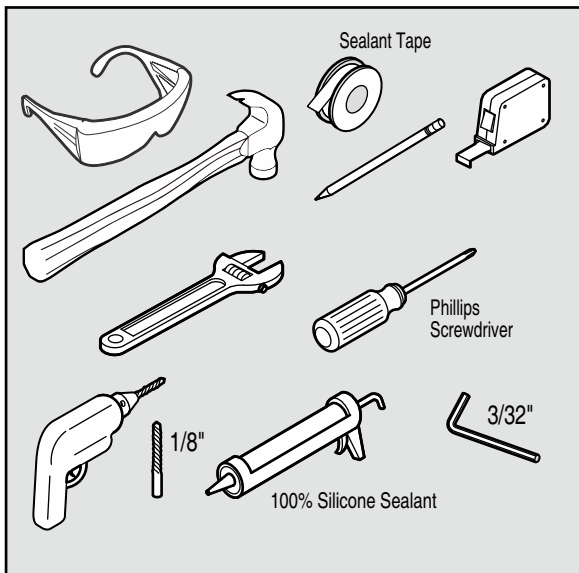
For Installation Help, Missing or Replacement Parts

Phone: (949)477-4195

Fax: (949)477-4196

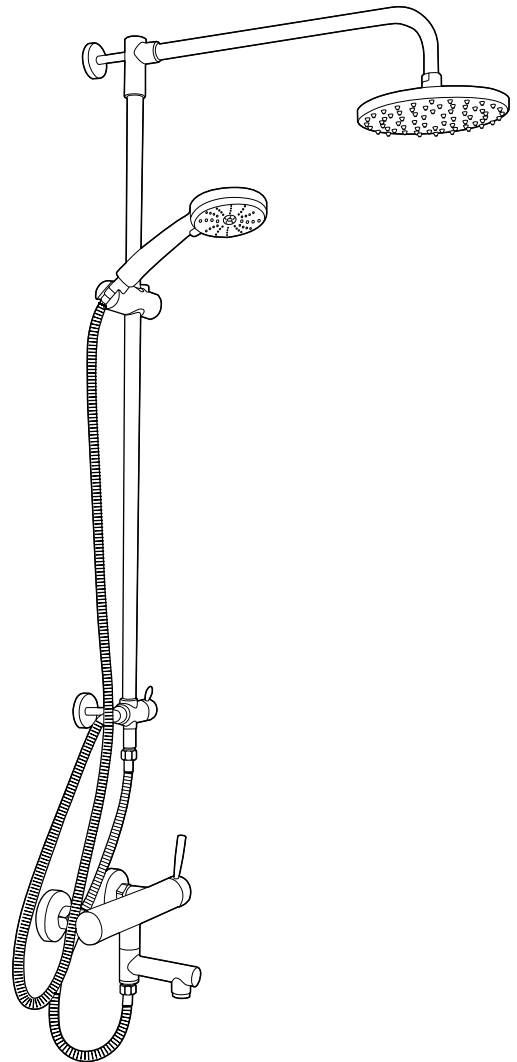
Email: customer.service@afastainless.com

AFA USA LLC



HELPFUL TOOLS

For safety and ease of faucet replacement, AFA recommends the use of these helpful tools.




SHOWER COLUMN
AFYZ03

BEFORE YOU BEGIN

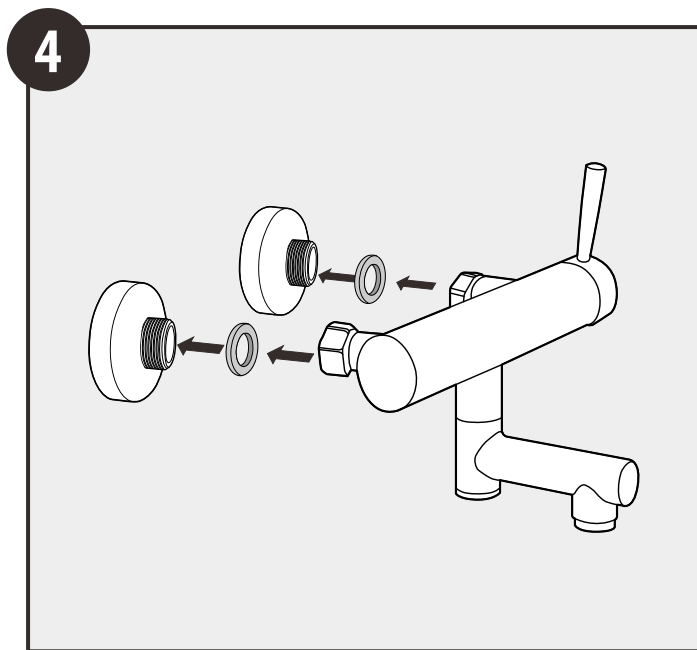
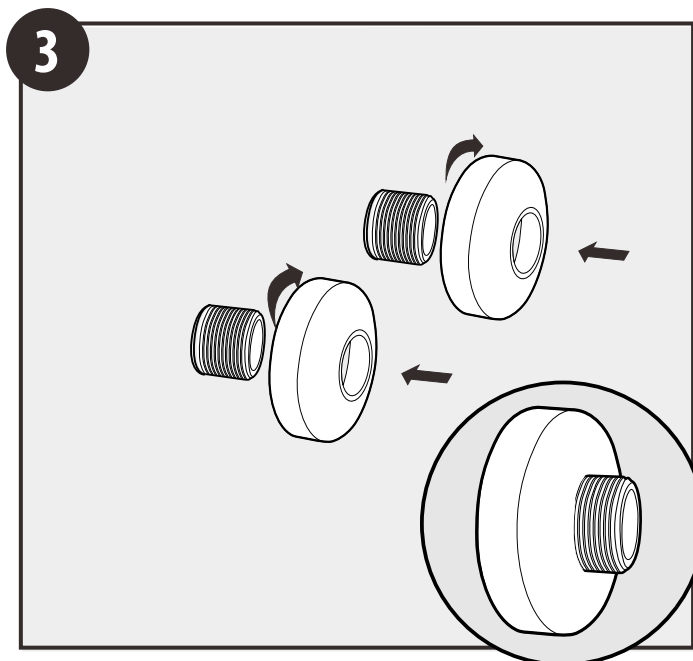
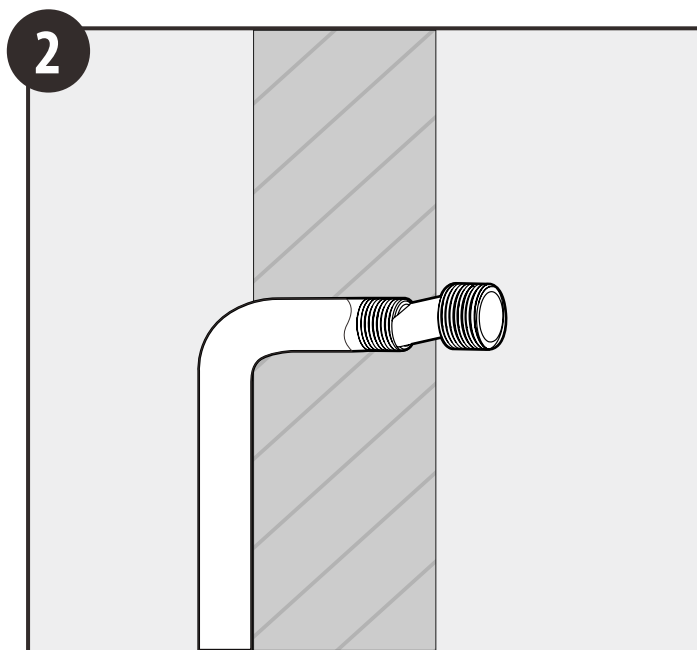
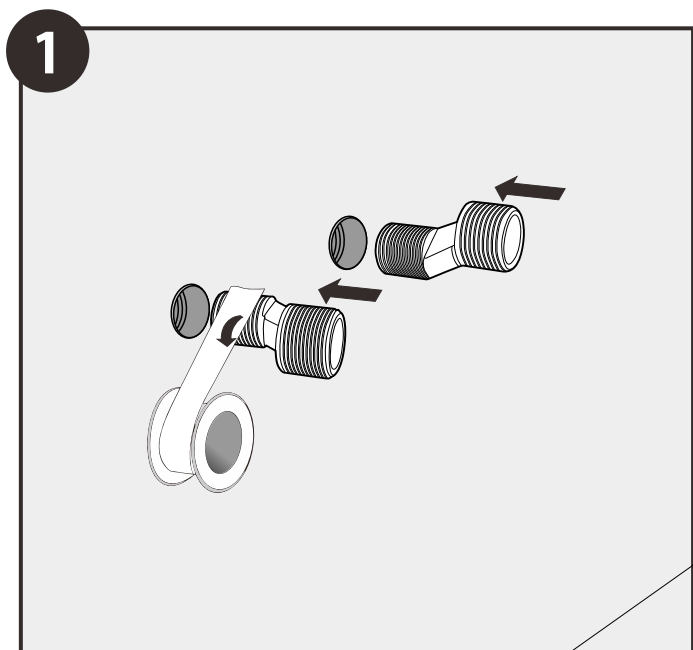
NOTE: This guide includes the installation sequence for the shower column only. Install the mixing valve, mixing valve trim, and spout according to the manufacturer's instructions.

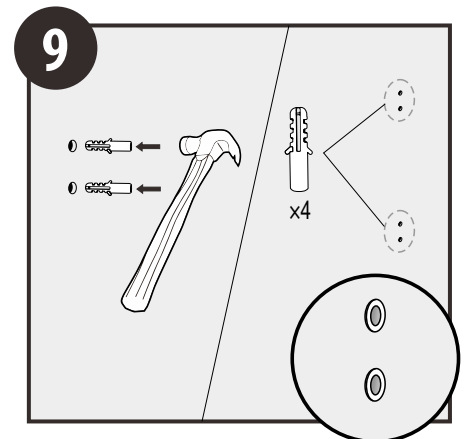
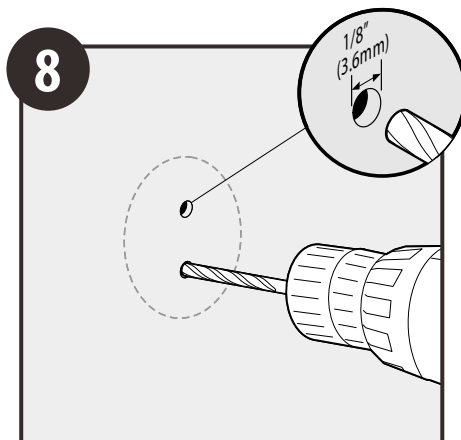
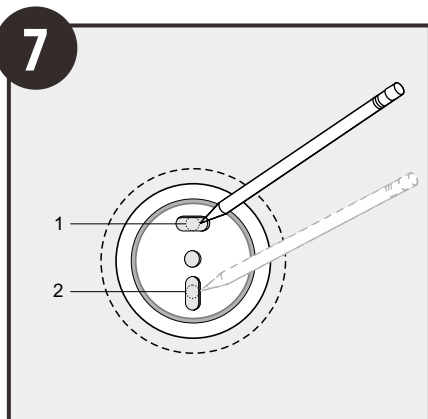
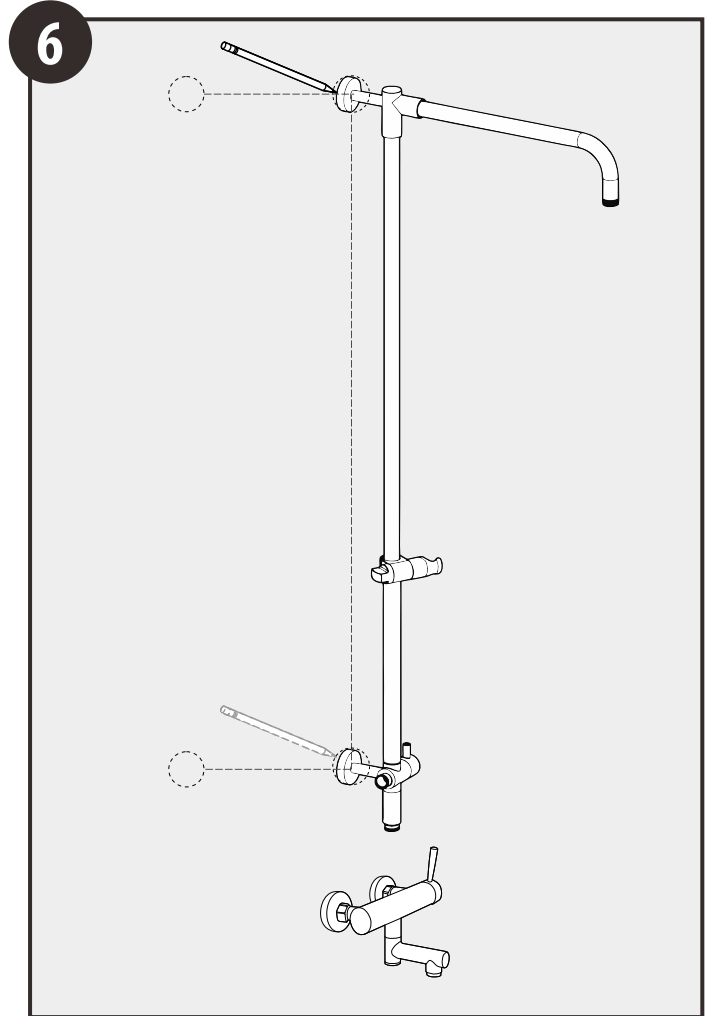
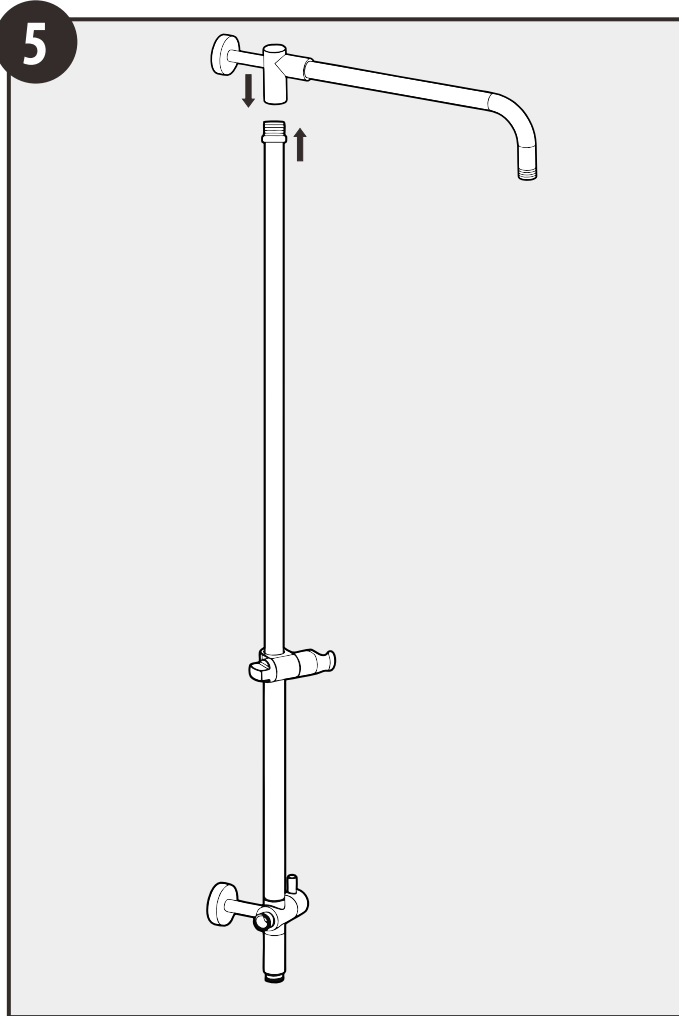
NOTICE: Risk of product damage. Do not apply excessive weight or downward force to the shower column.

 **CAUTION:** Risk of property damage. Water leakage may occur if supply piping allows movement. Ensure the supply piping and 1/2"-14 NPT elbow fitting are securely fastened to braces in the stud framing.

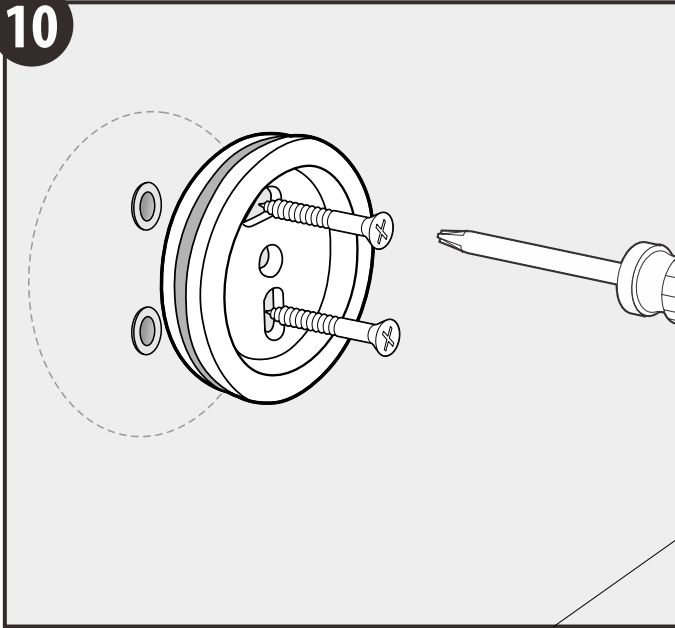
NOTE: The showerhead, hose, and handshower are purchased separately.

- Please read all instructions before you begin.
- Observe all local plumbing and building codes.
- Shut off the water supply.
- Inspect the existing supply piping and wall materials. Replace if necessary.

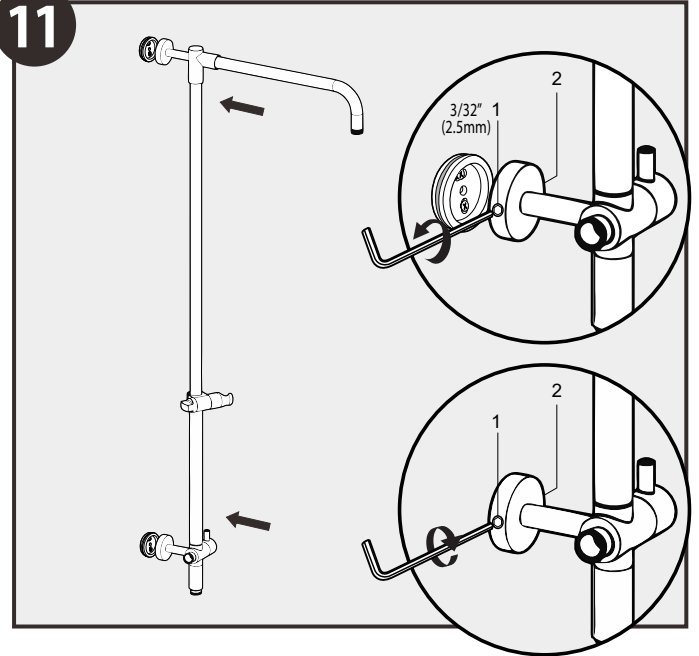




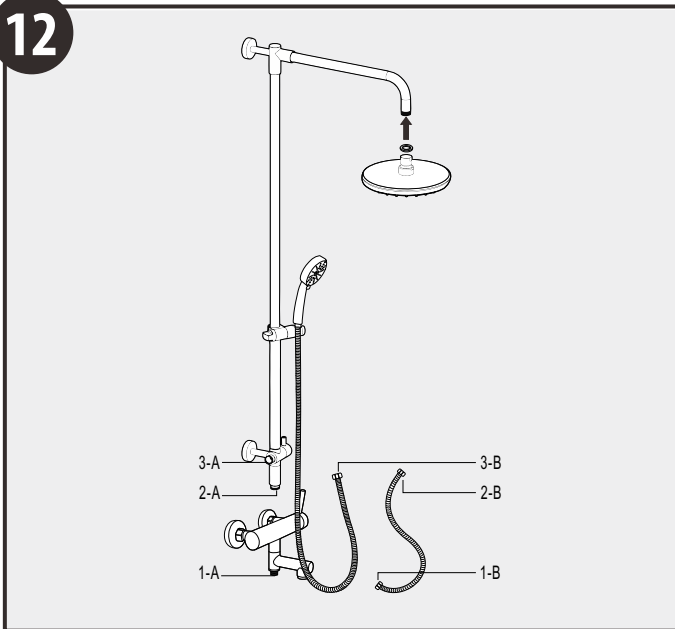
10



11



12



13

