

Installation Guide

Please contact AFA first

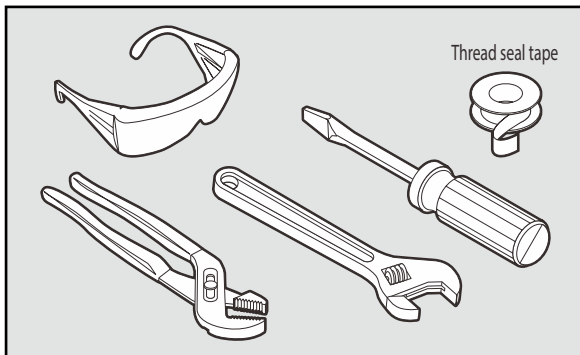
For Installation Help, Missing or Replacement Parts

Phone: (949)477-4195

Fax: (949)477-4196

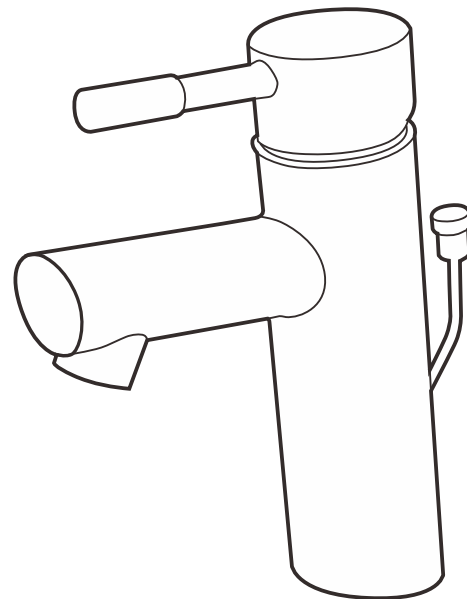
Email: customer.service@afastainless.com

AFA USA LLC

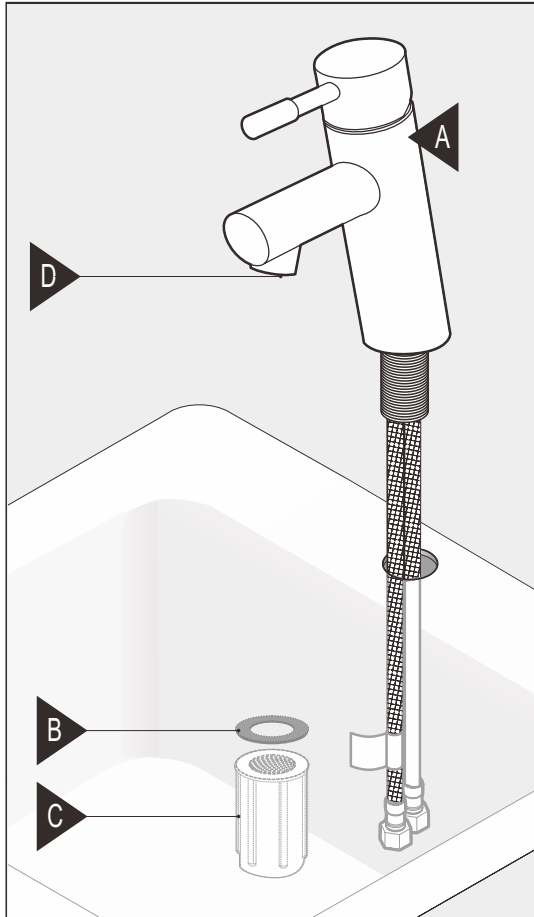


HELPFUL TOOLS

For safety and ease of faucet replacement, AFA recommends the use of these helpful tools.



**ONE-HANDLE BATH FAUCET
WITH POP-UP DRAIN**



Instructions

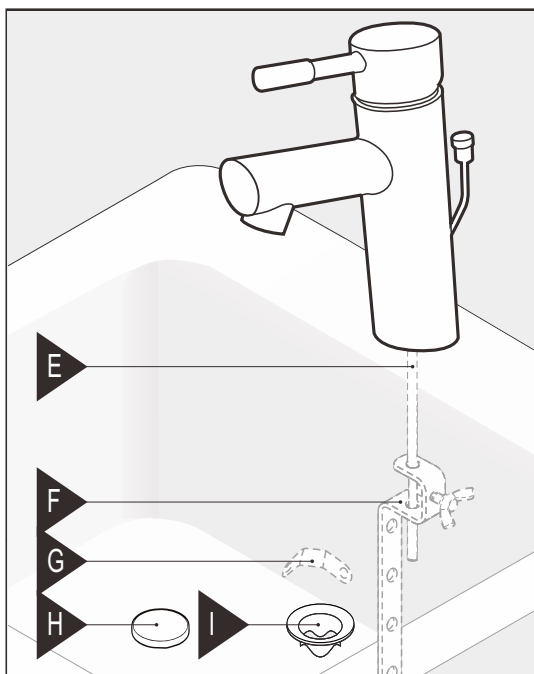
Parts List

- A. Faucet Body
- B. Gasket
- C. Mounting Hardware
- D. Aerator
- E. Lift Rod
- F. Lift Strap
- G. Spring Clip
- H. Stopper
- I. Washer



CAUTION — TIPS FOR REMOVAL OF OLD FAUCET:

Always turn water supply OFF before removing existing faucet or disassembling the valve. Open faucet handle to relieve water pressure and ensure that complete water shut-off has been accomplished.



Icon Legend



