

## Installation Guide

### Please contact AFA first

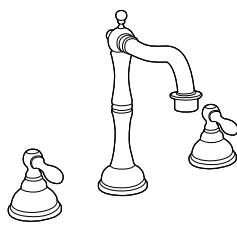
For Installation Help, Missing or Replacement Parts

Phone: (949)477-4195

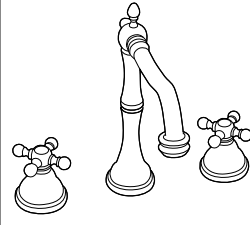
Fax: (949)477-4196

Email: [customer.service@afastainless.com](mailto:customer.service@afastainless.com)

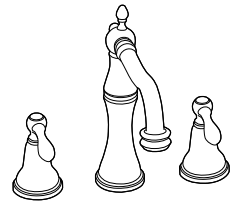
AFA USA LLC



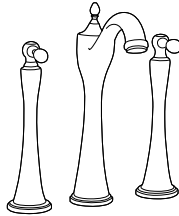
AFBTH03



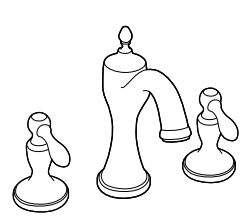
AFBTH03A



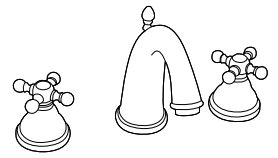
AFBTH05



AFBTH06



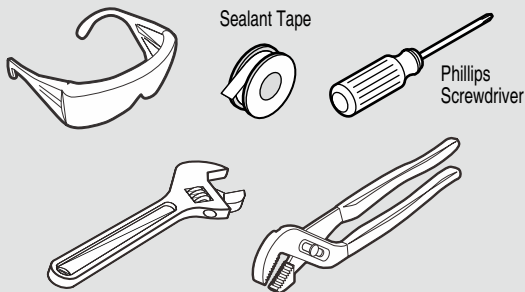
AFBTH07



AFBTH08A



AFBTH08



### HELPFUL TOOLS

For safety and ease of faucet replacement, AFA recommends the use of these helpful tools.



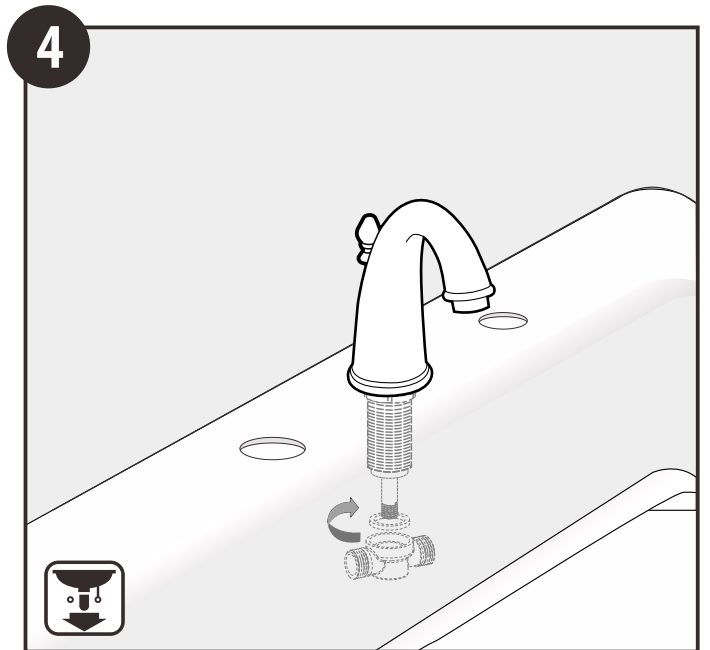
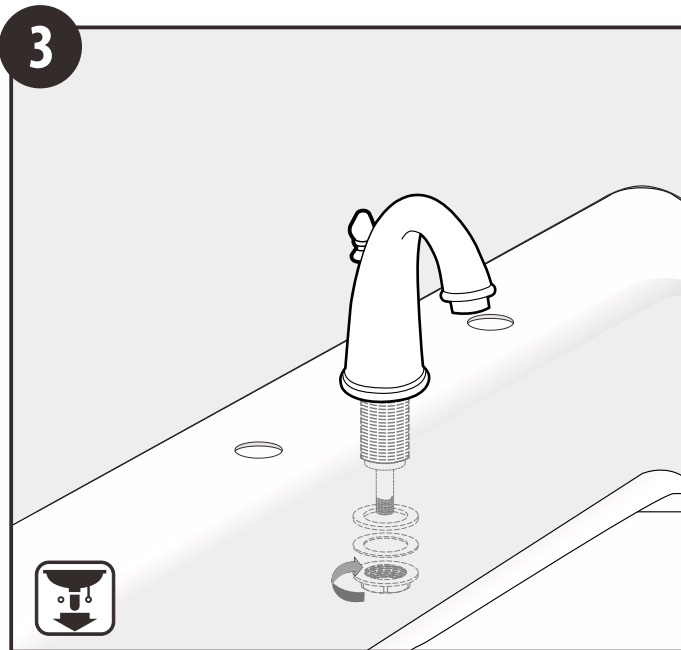
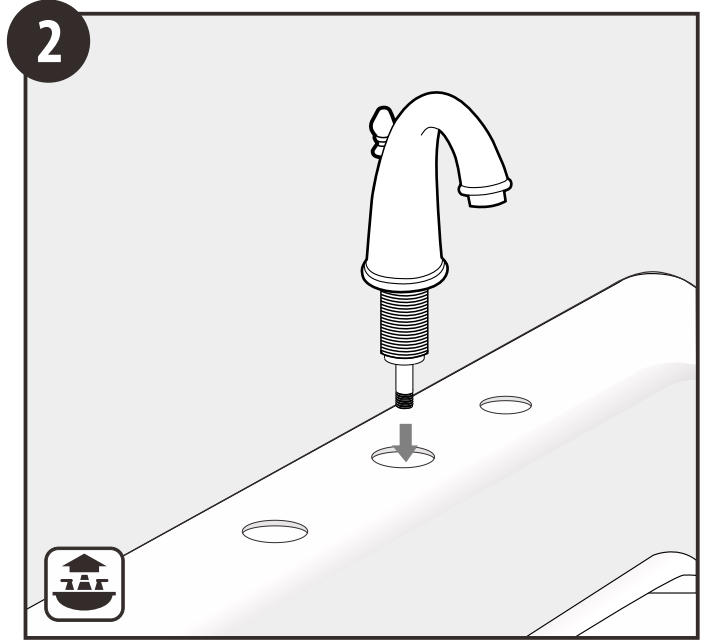
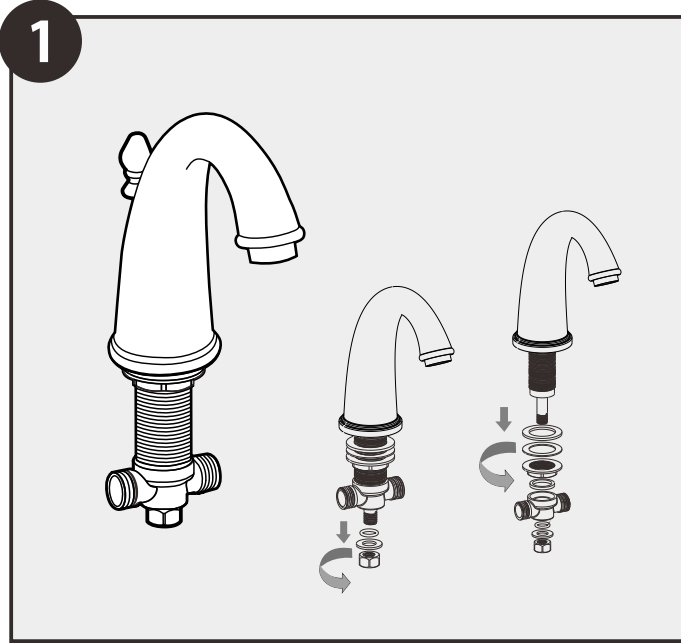
#### CAUTION — TIPS FOR REMOVAL OF OLD FAUCET:

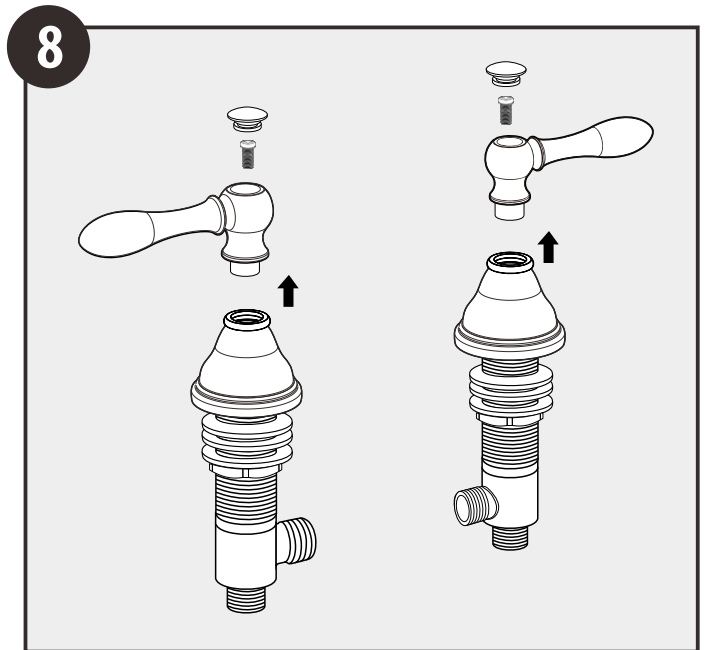
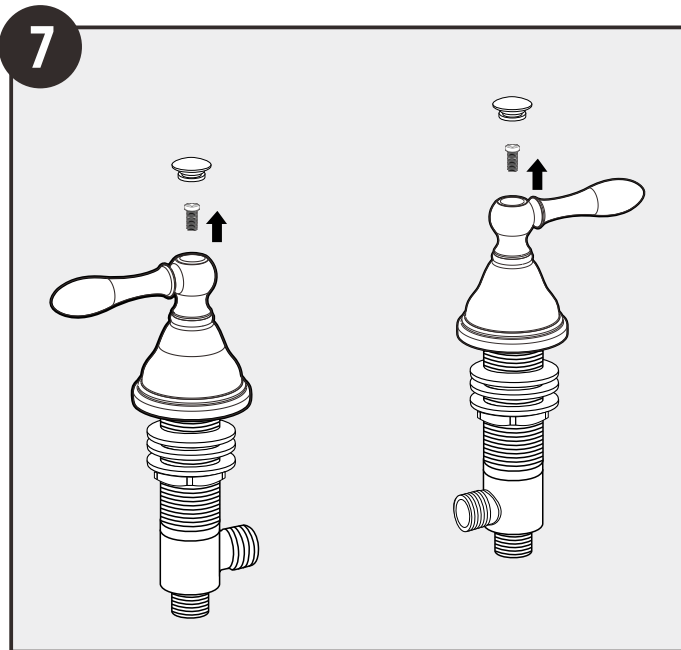
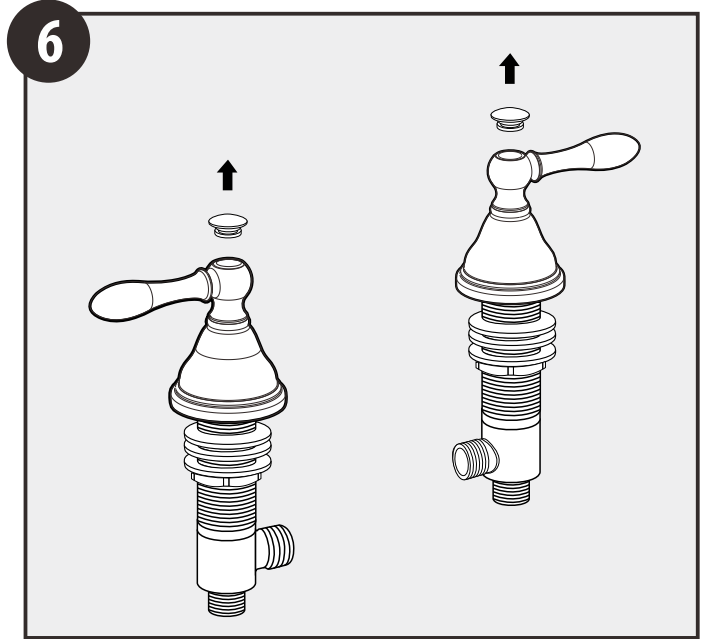
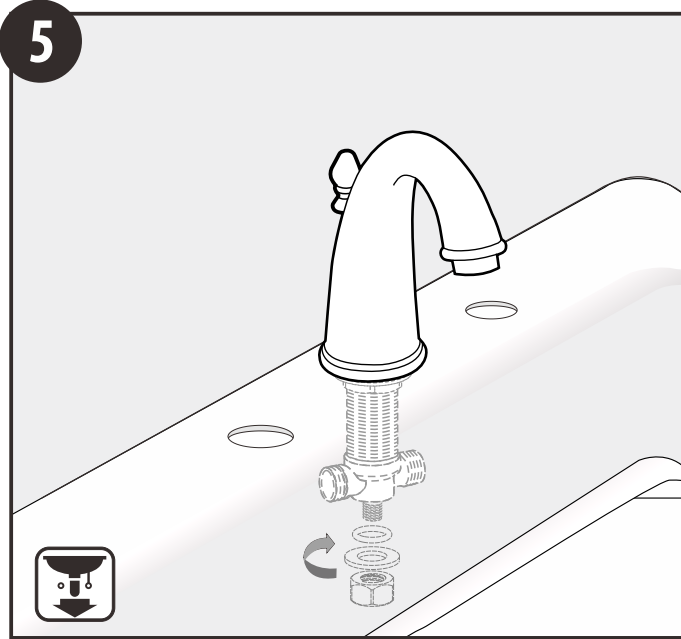
Always turn water supply OFF before removing existing faucet or disassembling the valve. Open faucet handle to relieve water pressure and ensure that complete water shut-off has been accomplished.

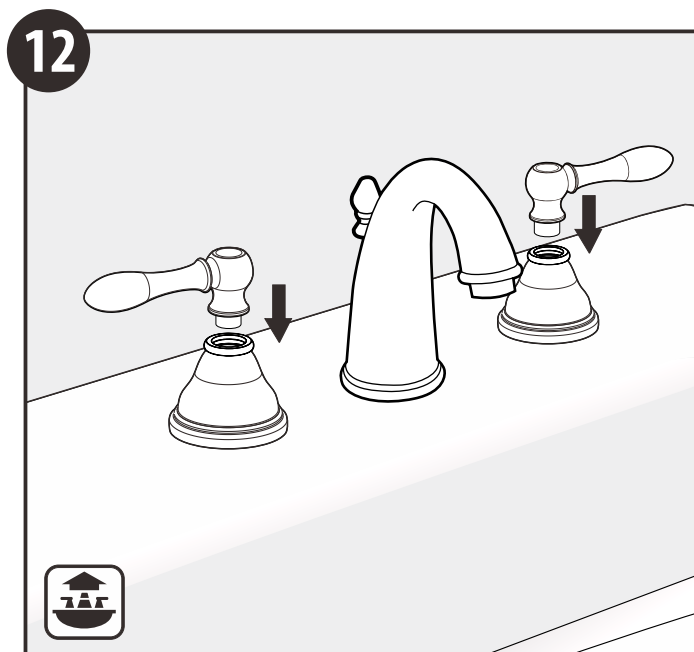
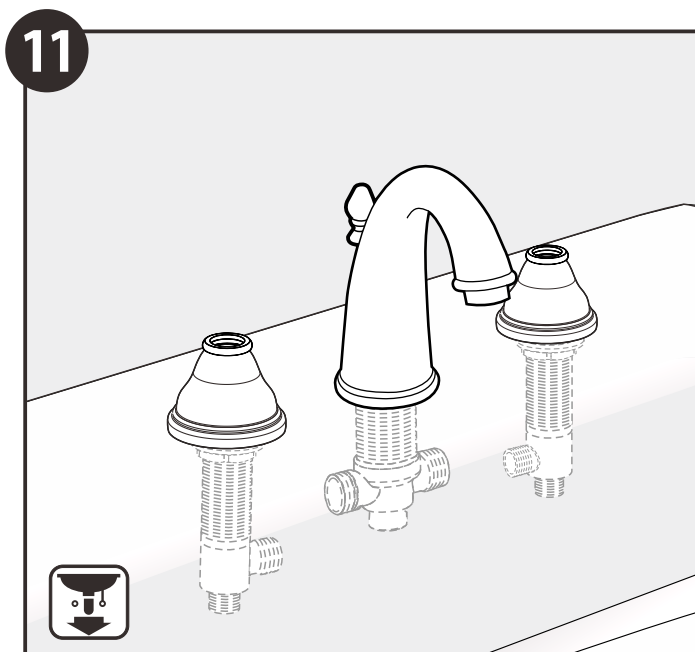
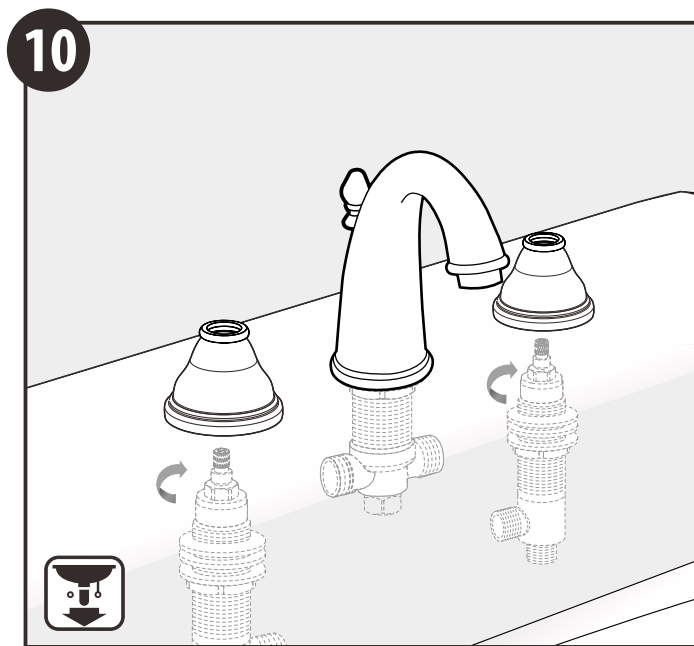
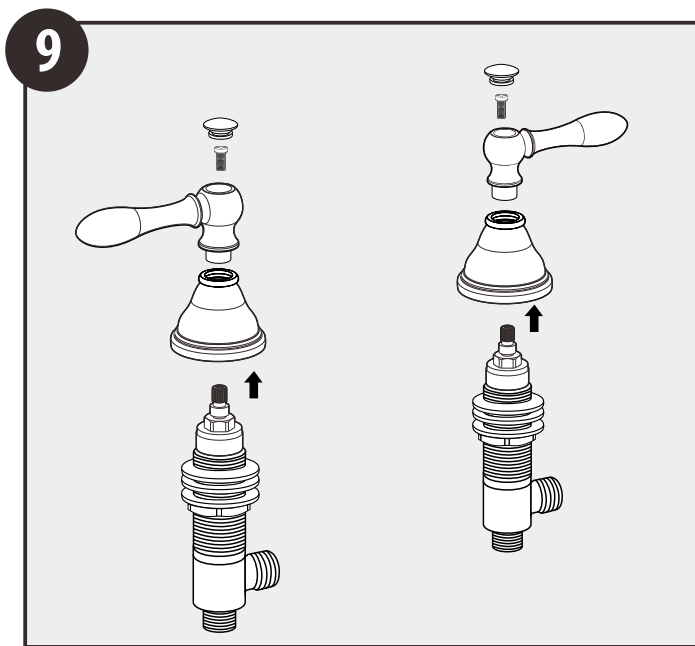
#### CARE INSTRUCTIONS

To preserve the finish on the metallic parts of your AFA stainless faucet, apply a mild abrasive cleanser. Any cleaners should be rinsed off immediately. Mild abrasives are acceptable on brush and mirror finishes.

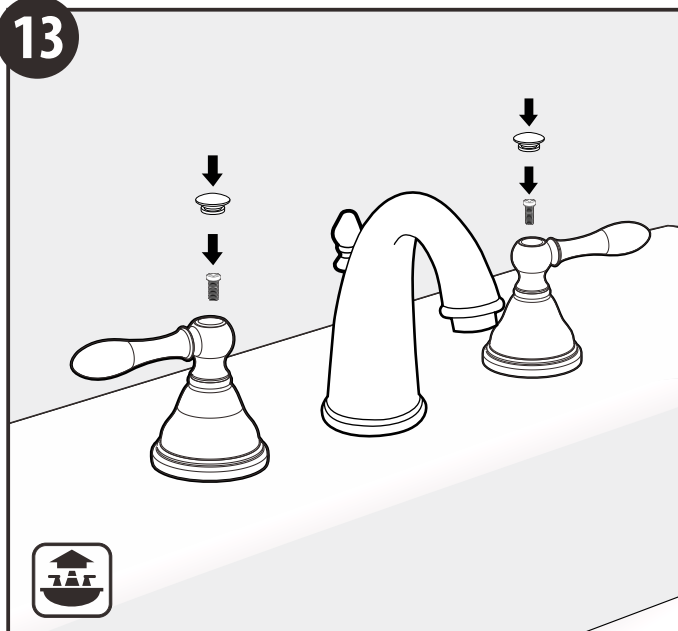
### TWO-HANDLE LAVATORY FAUCET



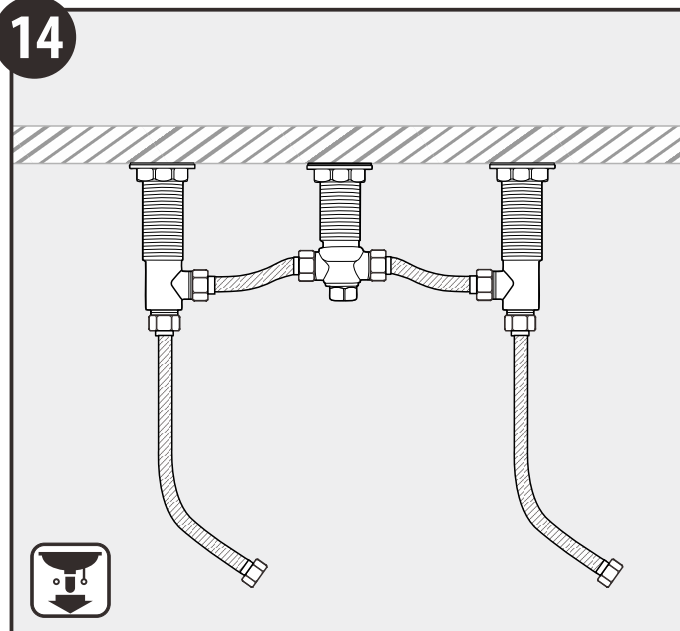




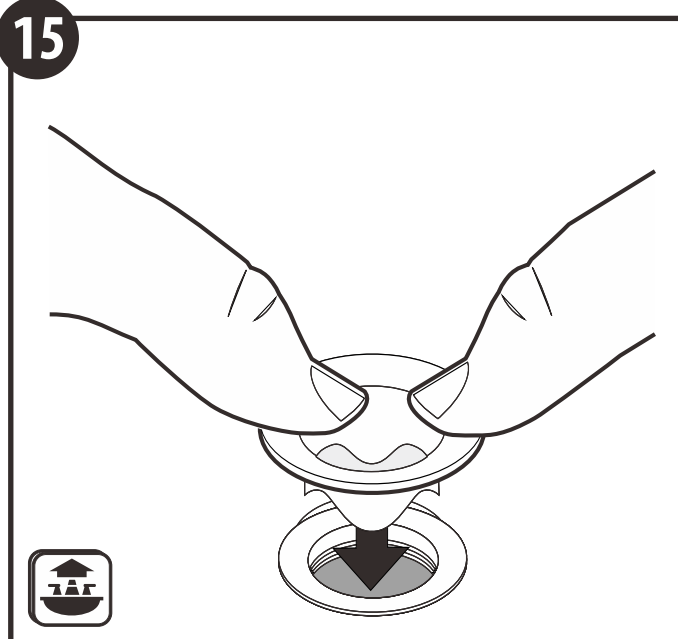
13



14



15



16

